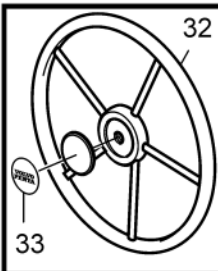
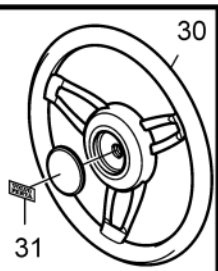
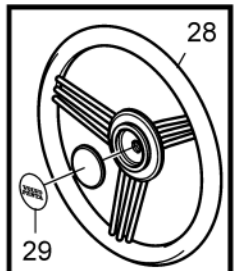
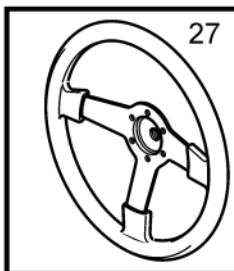
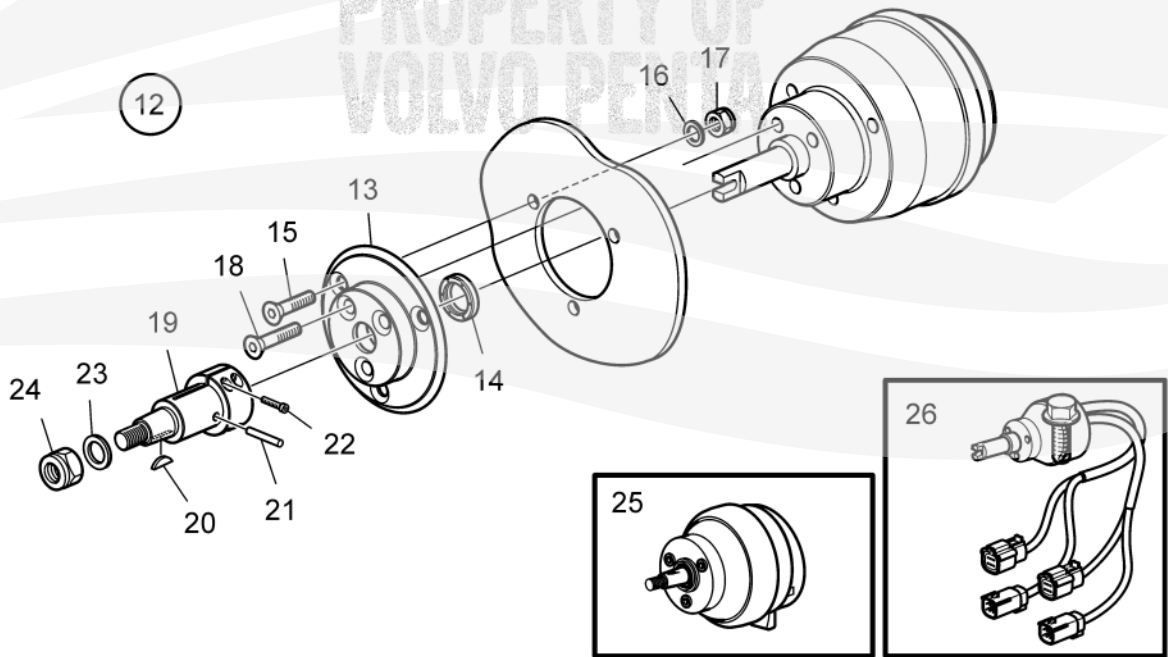
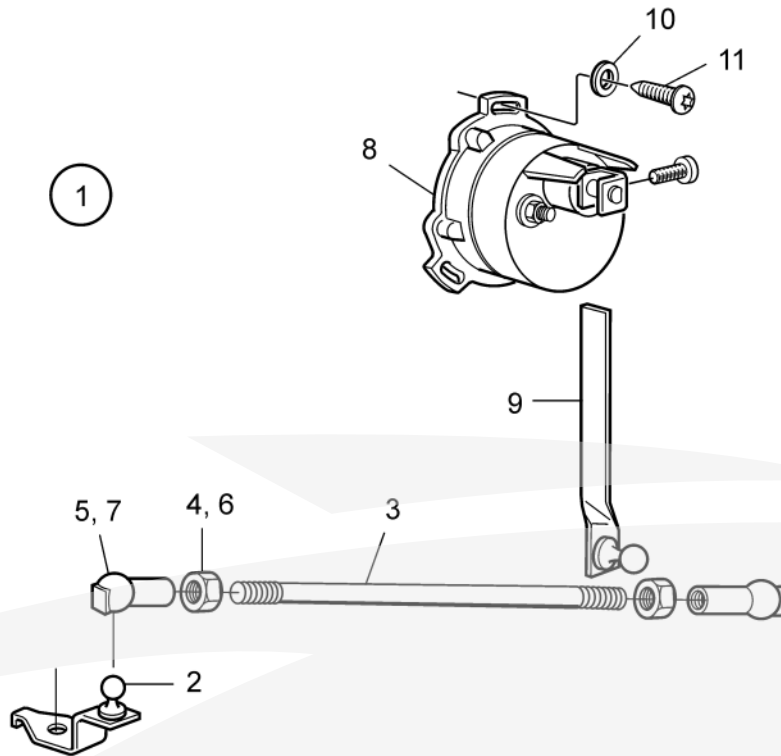


# Steering System EVC-E2

D13B-E MH, D13B-E MH (FE), D13B-N MH, D13B-N MH (FE),  
D13C1-A MH, D13C1-A MP, D13C2-A MH, D13C2-A MP,  
D13C3-A MP, D13C4-A MP, D13C5-A MP, D13C6-A MP



Miami Parts  
Marine Engine Services



28809

# Steering System EVC-E2

D13B-E MH, D13B-E MH (FE), D13B-N MH, D13B-N MH (FE),  
D13C1-A MH, D13C1-A MP, D13C2-A MH, D13C2-A MP,  
D13C3-A MP, D13C4-A MP, D13C5-A MP, D13C6-A MP



Miami Parts  
Marine Engine Services

REF	PART NO.	QTY	DESCRIPTION
1	3809099	1	Rudder position sens
2	853176	1	Bracket
3	943549	1	Control rod
4	942736	1	Hexagon nut
5	946704	1	Ball socket
6	955780	1	Hexagon nut
7	946703	1	Ball socket
8	837772	1	Position sensor
9	853177	1	Intermediate lever
10	955891	3	Washer
11	955132	3	Cross recessed screw
12	23170167	1	Conversion kit Not adjustable
13	21181167	1	Connecting plate
14	21227192	1	Seal
15	993474	3	Hex. socket screw
16	993419	3	Washer
17	969391	3	Flange nut
18	993604	3	Hex. socket screw
19	23170169	1	Shaft
20	160807	1	Woodruff key
21	950548	1	Pin
22	963672	4	Hex. socket screw
23	955897	1	Washer
24	946109	1	Lock nut
25	22299003	1	Steering wheel adjus
26	21469560	1	Steering wheel hub Replaced by 22353839
26	22353839	1	Steering wheel hub
27	3843317	1	Steering wheel Wood Ø 340 mm
28	21729995	1	Steering wheel Dark Mahognay Ø 350mm
29	21971826	1	Decal
30	21649809	1	Steering wheel Leather Ø 351mm
31	21989383	1	Decal
32	21673214	1	Steering wheel Leather Ø 370mm
33	21971826	1	Decal