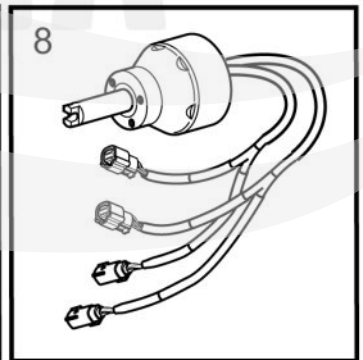
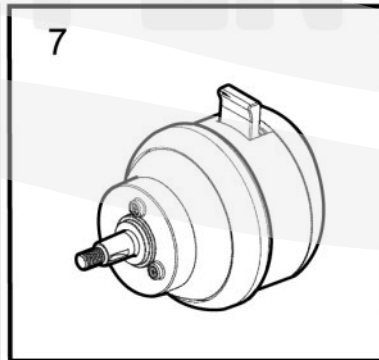
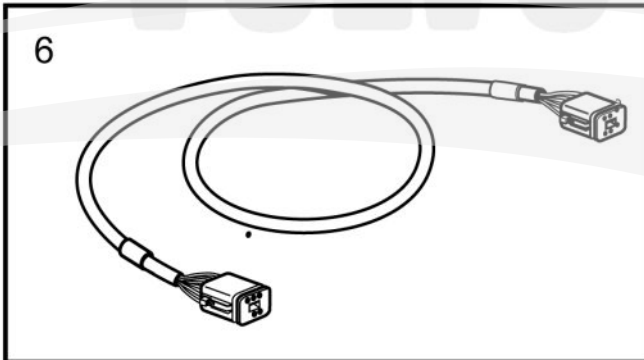
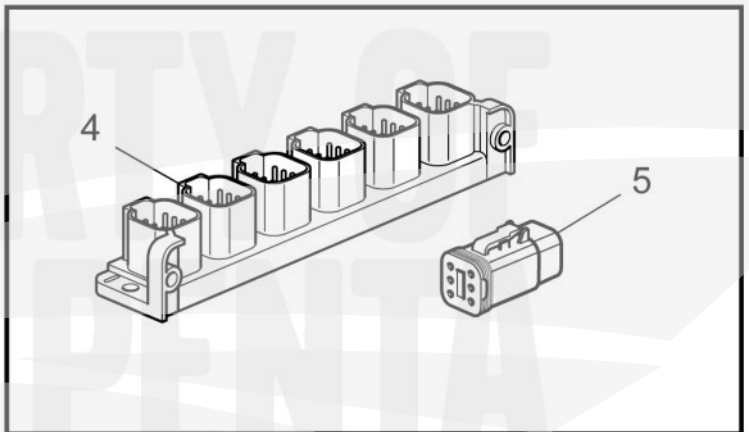
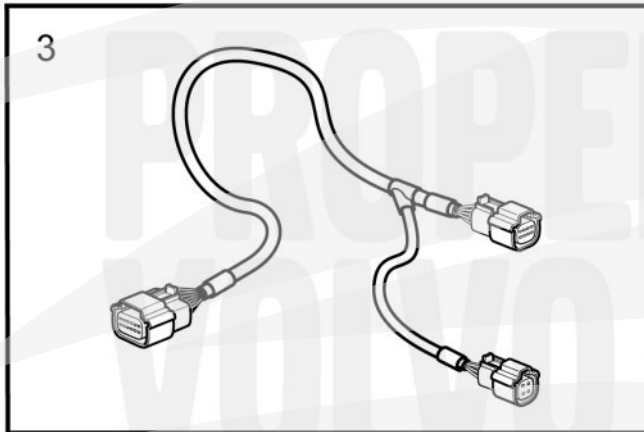
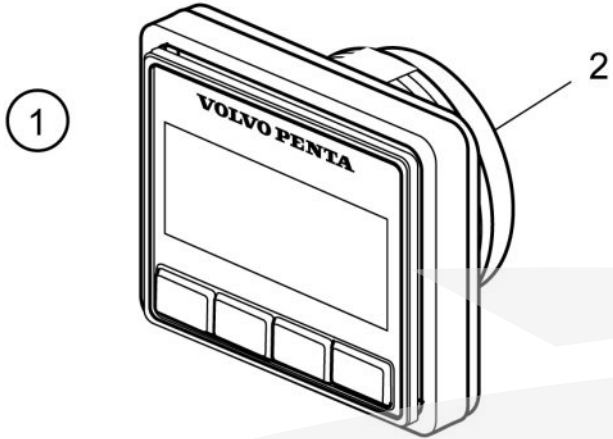


Secondary Station, Twin Installation, Inboard/AQ,
Electronic Steering, EVC 2.0

D4-175I-G, D4-230A-G, D4-230I-G, D4-270A-G,
D4-270I-G, D4-300A-G, D4-300I-G, D4-320A-G, D4-320I-G



30184

**Secondary Station, Twin Installation, Inboard/AQ,
Electronic Steering, EVC 2.0**

**D4-175I-G, D4-230A-G, D4-230I-G, D4-270A-G,
D4-270I-G, D4-300A-G, D4-300I-G, D4-320A-G, D4-320I-G**

REF	PART NO.	QTY	DESCRIPTION
1		1	Secondary station ki, Secondary Station for Inboard/AQ
2	22499273	1	Display panel
3	3588972	1	Cable kit
4	21469055	1	Connection block
5	3840433	4	Sealing plug
6	3886666	4	Cable
7	22299003	1	Steering wheel adjus
8	23408505	1	Steering wheel hub