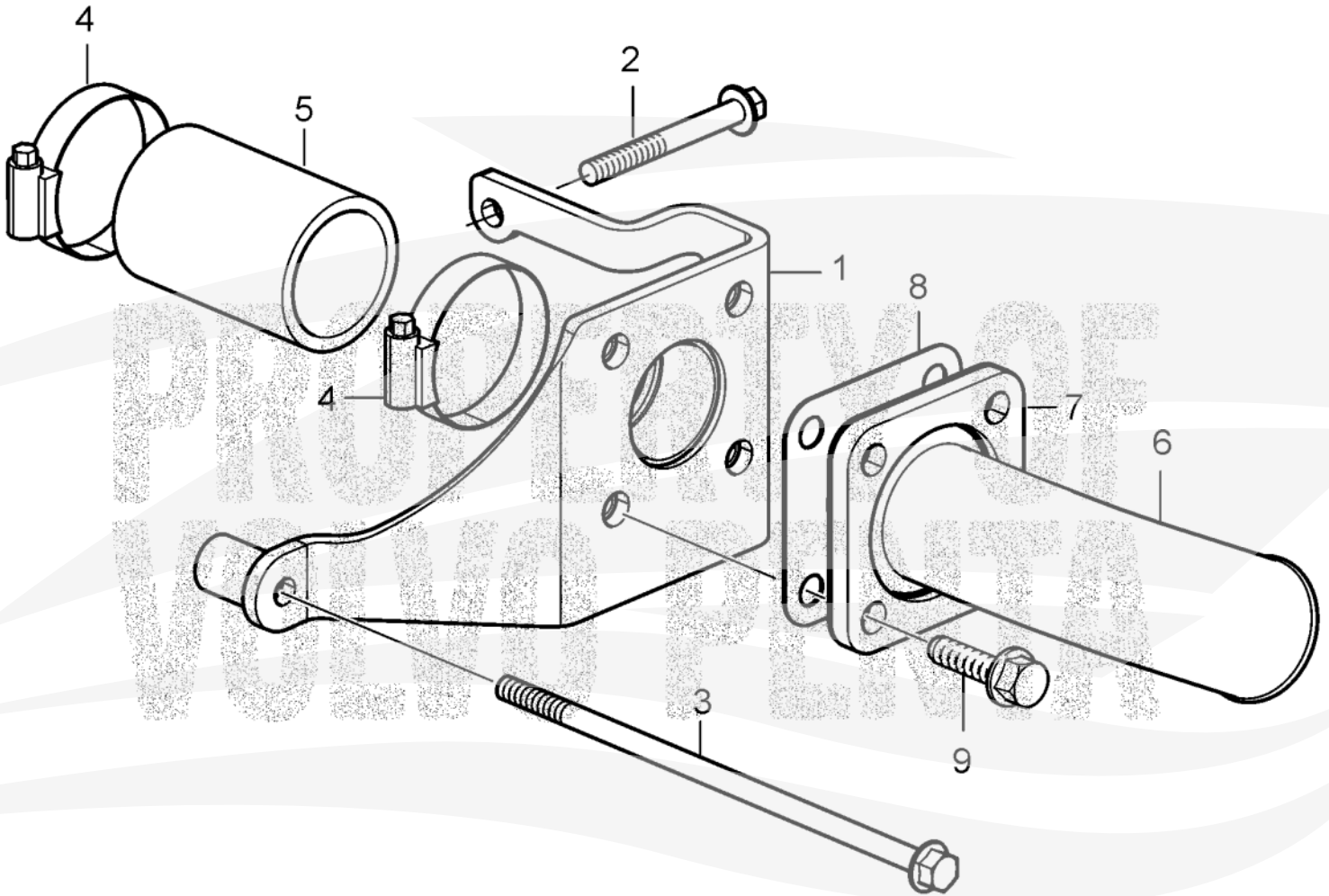


Rear Bracket for External Keel Cooling

D4-150A-G, D4-175I-G, D4-230A-G, D4-230I-G, D4-270A-G,
D4-270I-G, D4-300A-G, D4-300I-G, D4-320A-G, D4-320I-G



Miami Parts
Marine Engine Services



27607

Rear Bracket for External Keel Cooling

D4-150A-G, D4-175I-G, D4-230A-G, D4-230I-G, D4-270A-G,
D4-270I-G, D4-300A-G, D4-300I-G, D4-320A-G, D4-320I-G



Miami Parts
Marine Engine Services

REF	PART NO.	QTY	DESCRIPTION
1	22276739	1	Bracket
2	984741	2	Flange screw
3	980178	1	Flange screw
4	994563	2	Hose clamp
5	943370	1	Rubber hose L=80mm
6	848596	1	Hose attachment
7	842029	1	Flange
8	3888837	1	Gasket
9	990861	4	Flange screw