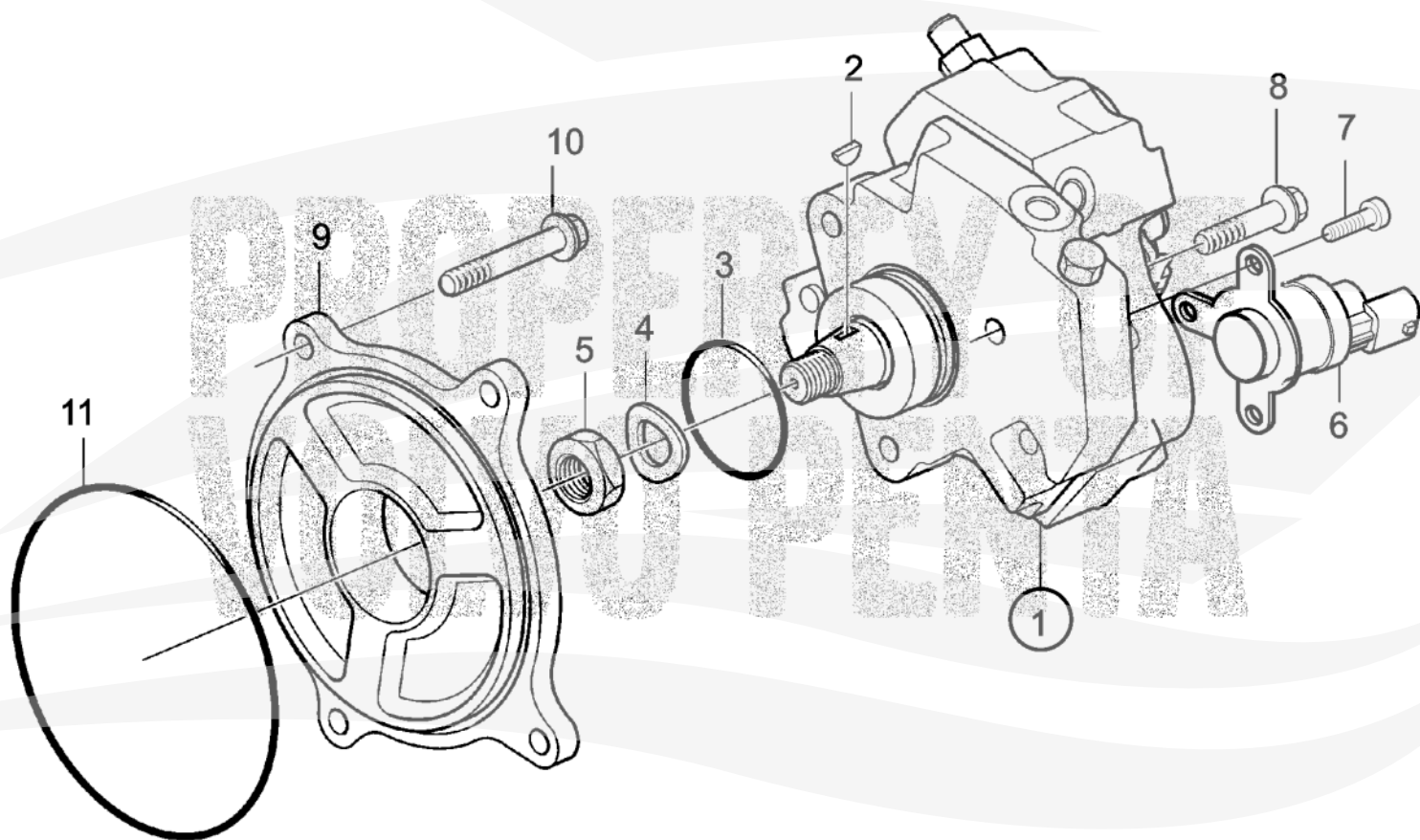


Fuel Pump

D4-210A-A, D4-210A-B, D4-225A-B, D4-225A-C,
D4-225A-D, D4-225A-E, D4-260A-A, D4-260A-B,
D4-260A-C, D4-260A-D, D4-260A-E, D4-300A-A,
D4-300A-C, D4-300A-D, D4-300A-E



26502

Fuel Pump

D4-210A-A, D4-210A-B, D4-225A-B, D4-225A-C,
D4-225A-D, D4-225A-E, D4-260A-A, D4-260A-B,
D4-260A-C, D4-260A-D, D4-260A-E, D4-300A-A,
D4-300A-C, D4-300A-D, D4-300A-E



Miami Parts
Marine Engine Services

REF	PART NO.	QTY	DESCRIPTION
1	3803633	1	High-pressure pump,
2	243734	1	Woodruff key
3	8631580	1	O-ring
4	3588228	1	Spring washer
5	3588229	1	Hexagon nut
6	21945363	1	Solenoid valve
7	959190	3	Hex. socket screw
8	947760	3	Flange screw L=40mm
9	3885130	1	Intermediate plate
10	965217	4	Flange screw L=65mm
11	948888	1	O-ring