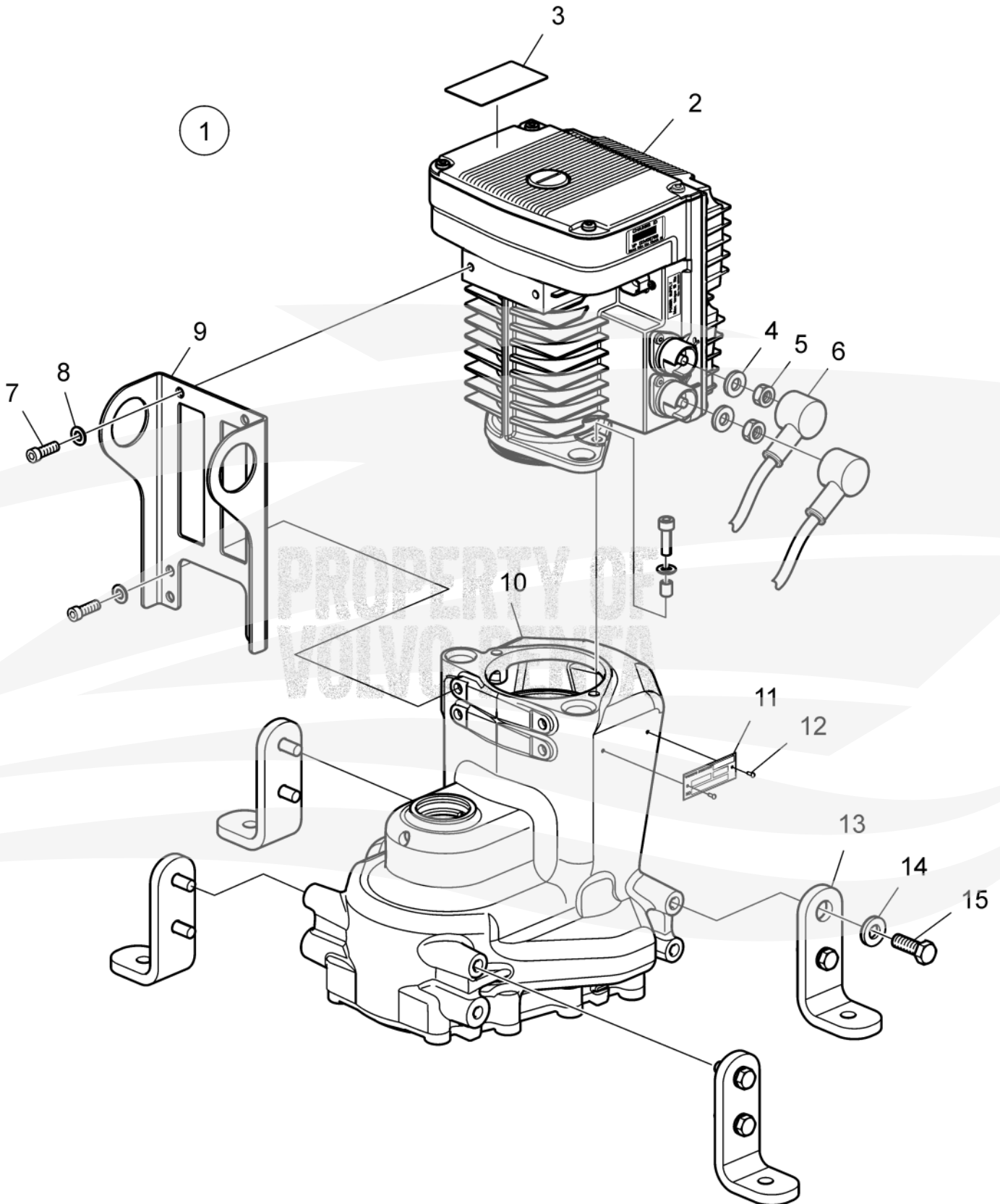


# Electrical Inboard Steering, SUS1 EVC-E3

D13B-E MH, D13B-E MH (FE), D13B-N MH, D13B-N MH (FE),  
D13C1-A MH, D13C1-A MP, D13C2-A MH, D13C2-A MP,  
D13C3-A MP, D13C4-A MP, D13C5-A MP, D13C6-A MP



Miami Parts  
Marine Engine Services



28886

# Electrical Inboard Steering, SUS1 EVC-E3

D13B-E MH, D13B-E MH (FE), D13B-N MH, D13B-N MH (FE),  
D13C1-A MH, D13C1-A MP, D13C2-A MH, D13C2-A MP,  
D13C3-A MP, D13C4-A MP, D13C5-A MP, D13C6-A MP



Miami Parts  
Marine Engine Services

REF	PART NO.	QTY	DESCRIPTION
1		1	El. inboard steering
2	22796035	1	Servo unit Replaced by 21846852
2	21846852	1	Servo unit
2	3801717	1	Servo unit, exch Replaced by 3801475
2	3801475	1	Servo unit, exch
2	21586516	1	Wiring harness
3	3809619	1	Decal
4	941670	2	Washer
5	946330	2	Hexagon nut
6	3588539	2	Protective cap
7	946541	8	Hex. socket screw
8	941670	8	Washer
9	22630326	1	Bracket Replaced by 23370819
9	23370819	1	Bracket
10	Gear housing		
11	3817315	1	Type plate
12	804269	2	Drive screw
13	22630330	4	Mounting base Replaced by 23370820
13	23370820	4	Mounting base
14	942551	8	Washer
15	984914	8	Hexagon screw