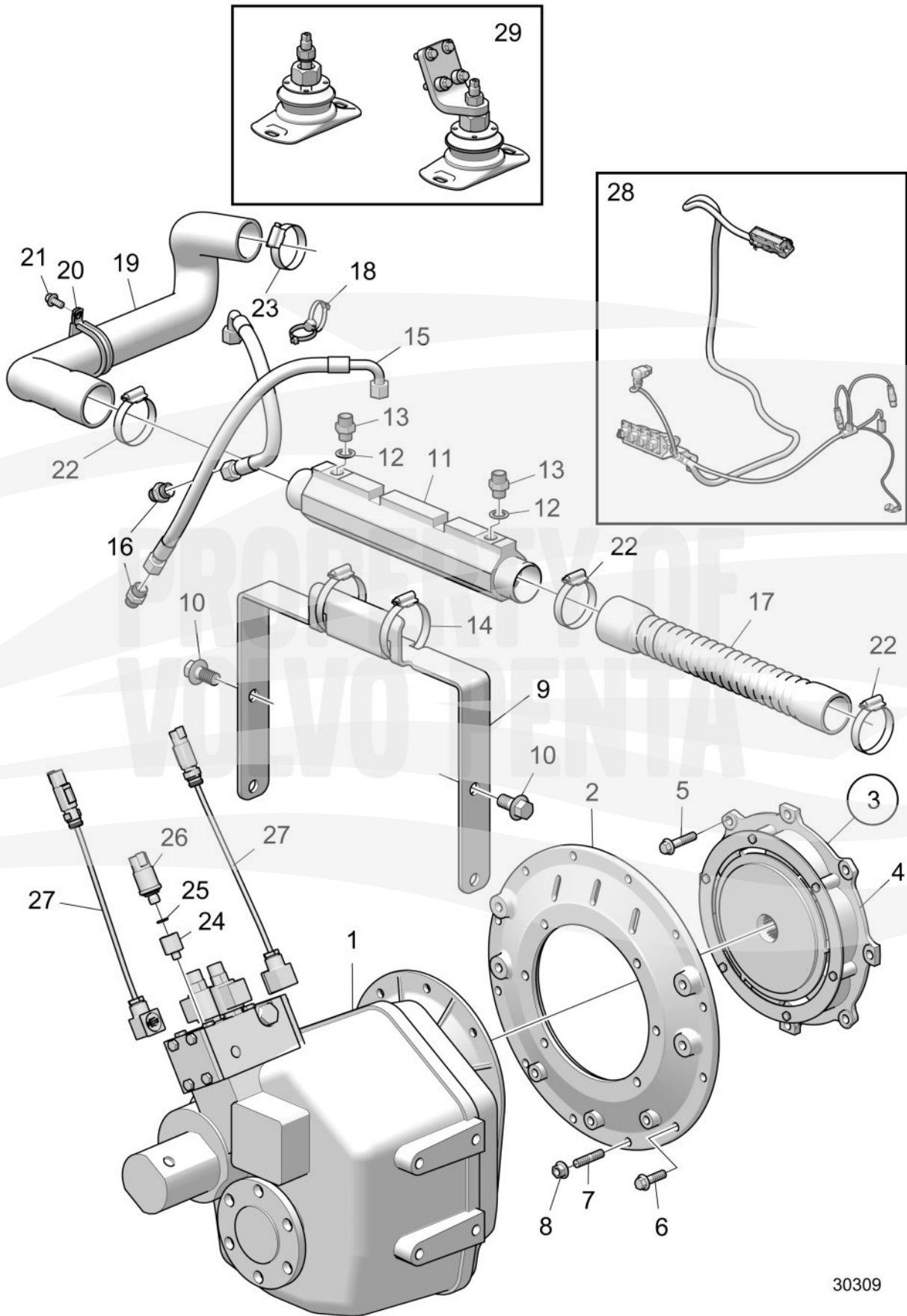


# Connecting Parts Reverse Gear ZF220 D4-175I-G, D4-230I-G, D4-270I-G, D4-300I-G, D4-320I-G



30309

**Connecting Parts Reverse Gear ZF220**  
**D4-175I-G, D4-230I-G, D4-270I-G, D4-300I-G, D4-320I-G**



**Miami Parts**  
 Marine Engine Services

REF	PART NO.	QTY	DESCRIPTION
1		1	Reversing gear Ratio 2.478:1, 12V
1		1	Reversing gear Ratio 3.000:1, 12V
1		1	Reversing gear Ratio 2.478:1, 24V
1		1	Reversing gear Ratio 3.000:1, 24V
2	3584253	1	Cover
3	23549677	1	Flexible coupling
4	21509615	1	Roller kit
5	990862	8	Flange screw
6	984754	10	Flange screw
7	953067	2	Stud
8	990941	8	Flange nut
9	23533534	1	Bracket
10	996078	4	Flange screw
11	3584435	1	Oil cooler
12	21121914	2	Gasket
13	963948	2	Nipple
14	961673	2	Hose clamp
15	22207321	2	Hose
16	941750	2	Nipple
17	3588788	1	Hose
18	20885496	1	Retainer
19	23848021	1	Hose D4
19	23388887	1	Hose D6
20	969354	1	Clamp
21	984733	1	Flange screw
22	961672	3	Hose clamp
23	961671	1	Hose clamp
24	23538432	1	Adapter
25	968562	1	O-ring
26	17202573	1	Pressure sensor
27	23556487	2	Wiring harness
28	23022083	1	Wiring harness
29		1	Engine suspension