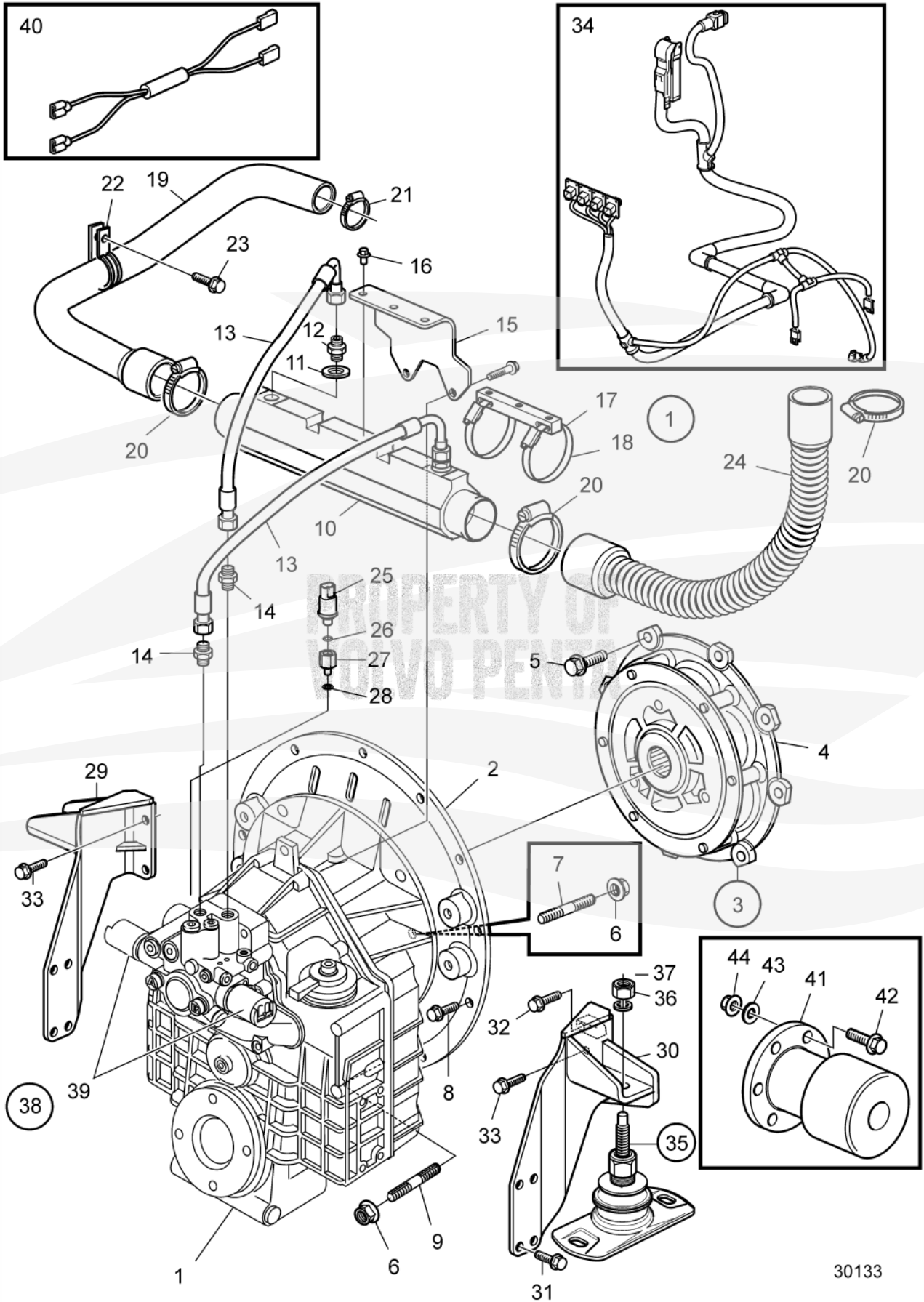


**Connecting Parts Reverse Gear HS85IVE
 D4-175I-G, D4-230A-G, D4-230I-G, D4-270A-G,
 D4-270I-G, D4-320A-G, D4-320I-G**



30133

**Connecting Parts Reverse Gear HS85IVE
D4-175I-G, D4-230A-G, D4-230I-G, D4-270A-G,
D4-270I-G, D4-320A-G, D4-320I-G**

REF	PART NO.	QTY	DESCRIPTION
1	22775505	1	Reversing gear kit Ratio 2.49:1
2	3584253	1	Cover
3	23549677	1	Flexible coupling
4	21509615	1	Roller kit Kit includes 6 pcs rubber rollers
5	984755	8	Flange screw
6	990941	2	Flange nut
7	953067	2	Stud
8	984754	10	Flange screw
9	22736345	2	Stud
10	3584435	1	Oil cooler
11	21121914	2	Gasket
12	963948	2	Nipple
13	23541483	2	Hose
14	941750	2	Nipple
15	23534991	1	Bracket
16	984732	3	Flange screw
17	23542469	1	Adapter
18	961674	2	Hose clamp
19	23388887	1	Hose
20	961672	3	Hose clamp
21	961671	1	Hose clamp
22	969354	1	Clamp
23	984733	1	Flange screw
24	3588788	1	Hose
25	17202573	1	Pressure sensor
26	968562	1	O-ring
27	23297503	1	Adapter
28	976927	1	Gasket
29	3595290	1	Bracket P
30	3595291	1	Bracket S.B
31	984815	8	Flange screw
32	990811	1	Flange screw M12x55mm
33	990809	3	Flange screw M12x35mm
34	23022083	1	Wiring harness
35	22006200	2	Rubber cushion
36	847766	1	Lock washer

**Connecting Parts Reverse Gear HS85IVE
D4-175I-G, D4-230A-G, D4-230I-G, D4-270A-G,
D4-270I-G, D4-320A-G, D4-320I-G**

REF	PART NO.	QTY	DESCRIPTION
37	990973	1	Hexagon nut
38	22826350	1	Solenoid valve
39	22774568	2	Solenoid valve
40	22310813	1	Resistor 24V, Service solution
40	22769761	1	Resistor 24V, Service solution
41	22691344	1	Companion flange
42	955739	6	Hexagon screw
43	994896	6	Spring washer
44	60112108	6	Lock nut