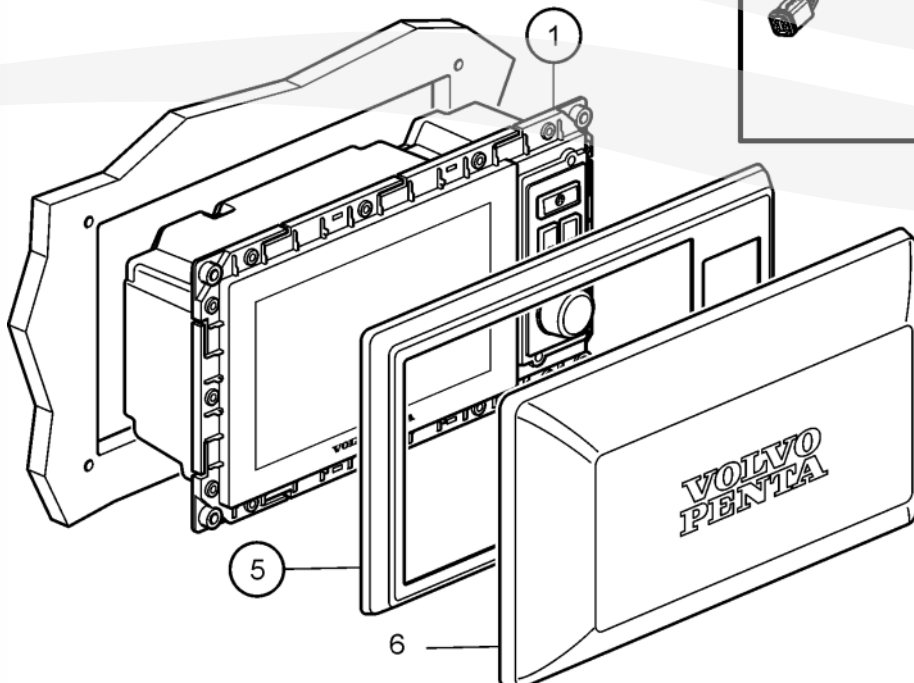
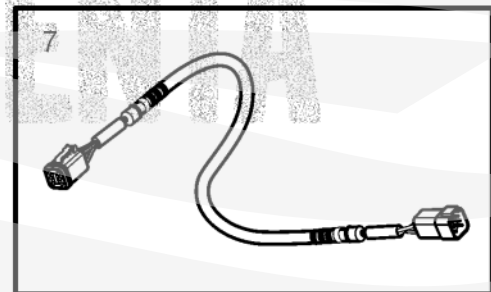
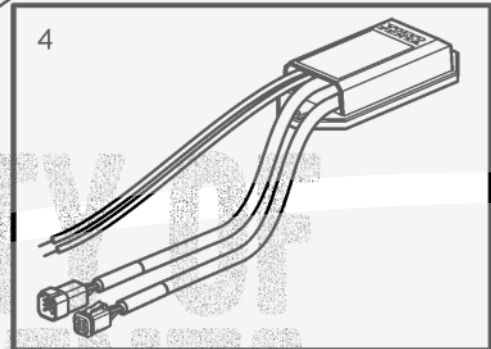
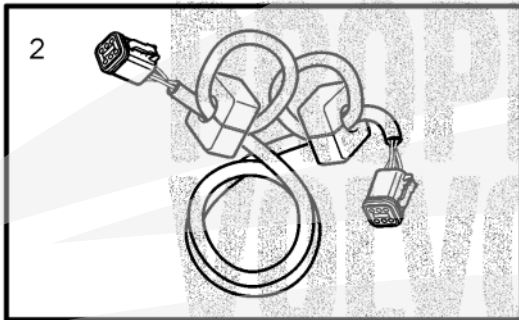
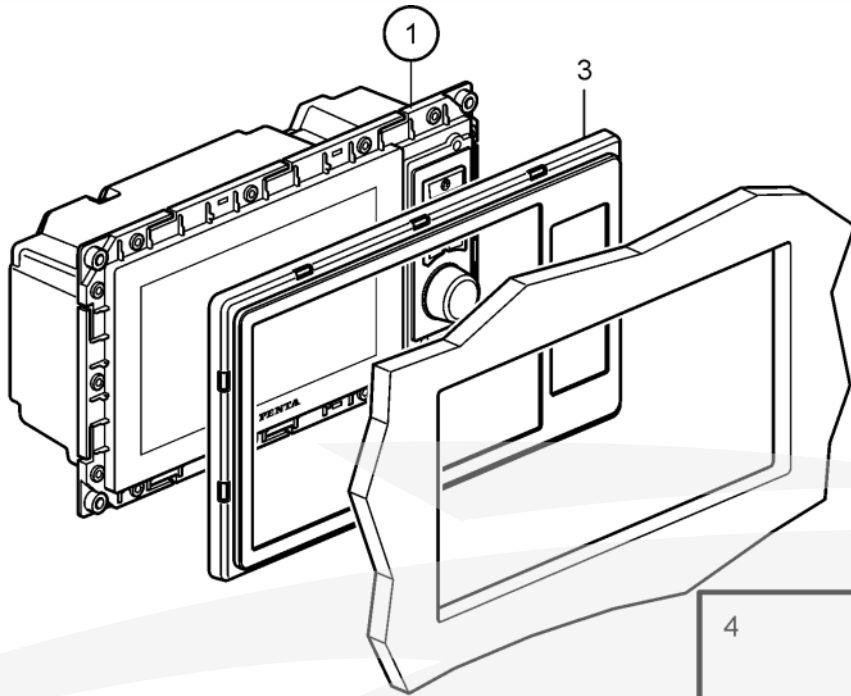


7" Alarm Handling Display, Commercial, EVC 2.0
D4-175I-G, D4-230A-G, D4-230I-G, D4-270A-G,
D4-270I-G, D4-300A-G, D4-300I-G, D4-320A-G, D4-320I-G



28240

**7" Alarm Handling Display, Commercial, EVC 2.0
D4-175I-G, D4-230A-G, D4-230I-G, D4-270A-G,
D4-270I-G, D4-300A-G, D4-300I-G, D4-320A-G, D4-320I-G**

REF	PART NO.	QTY	DESCRIPTION
1	23874052	1	Display 7" ALARM DISPLAY
2	21514712	1	Cable
3	21330288	1	Frame For flush mounting
4	21379779	1	Network adapter POWER FEED MODULE, 12V
5	21330289	1	Frame For top mouting
6	21144292	1	Cover
7	22629901	1	Cable