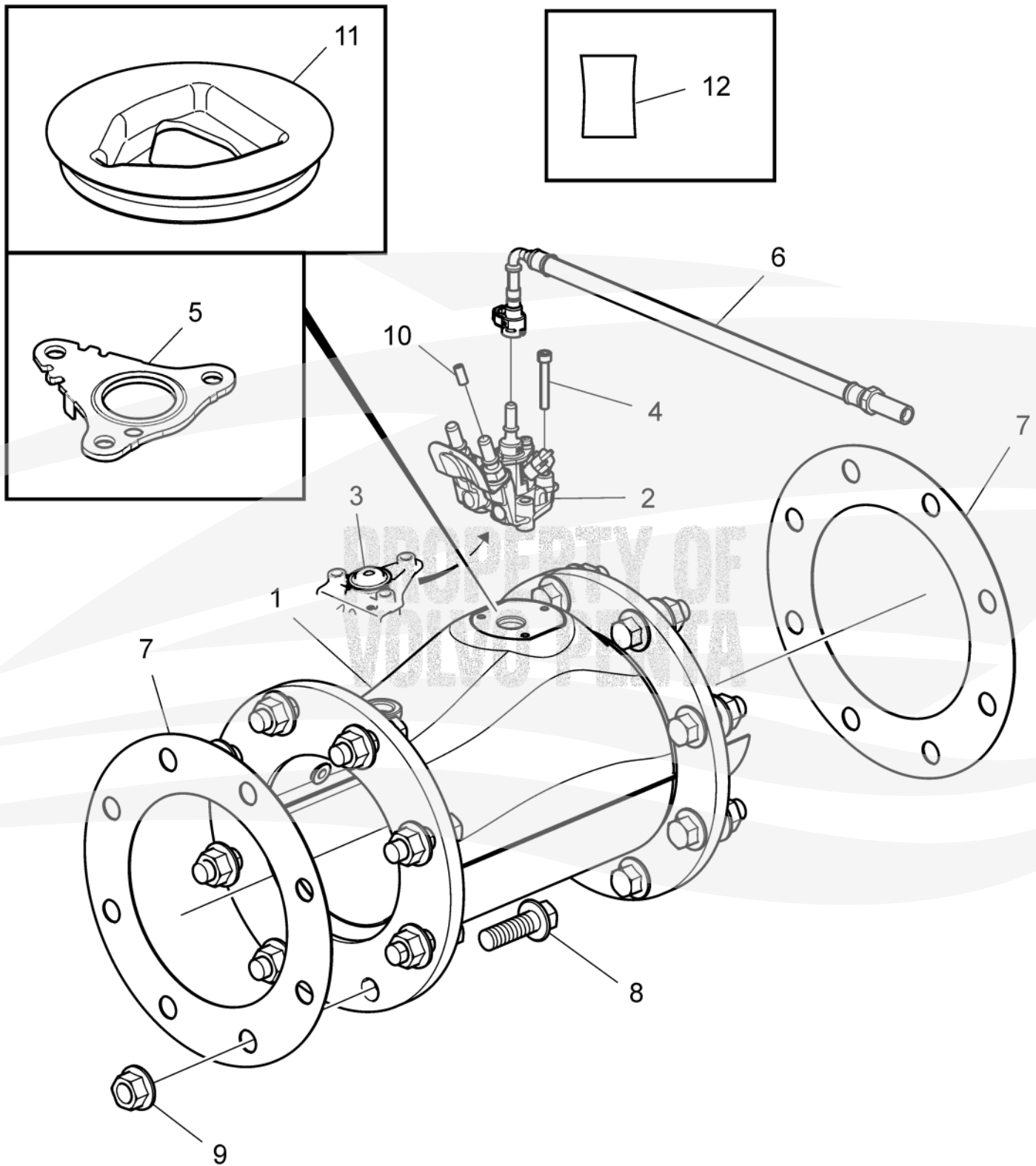


SCR.Dosage Valve Kit
D13C1-A MG, D13C1-A MH, D13C2-A MG, D13C2-A MH,
D13C5-A MP



29564

SCR.Dosage Valve Kit
D13C1-A MG, D13C1-A MH, D13C2-A MG, D13C2-A MH,
D13C5-A MP

| REF | PART NO. | QTY | DESCRIPTION |
|-----|----------|-----|--------------------------------|
| 1 | 23096877 | 1 | Pipe |
| 2 | 23184454 | 1 | Dosage valve |
| 3 | 21376801 | 1 | Sealing plate |
| 4 | 990413 | 3 | Hex. socket screw |
| 5 | 22677399 | 1 | Gasket |
| 6 | 23168273 | 1 | Hose |
| 7 | 22892589 | 2 | Gasket |
| 8 | 984834 | 16 | Flange screw |
| 9 | 990944 | 16 | Flange nut |
| 10 | 11033572 | 1 | Reduction nipple Outgoing flow |
| 11 | 23325599 | 1 | Isolation |
| 12 | 23427648 | 10 | Plug Cleanlines Projectiles |