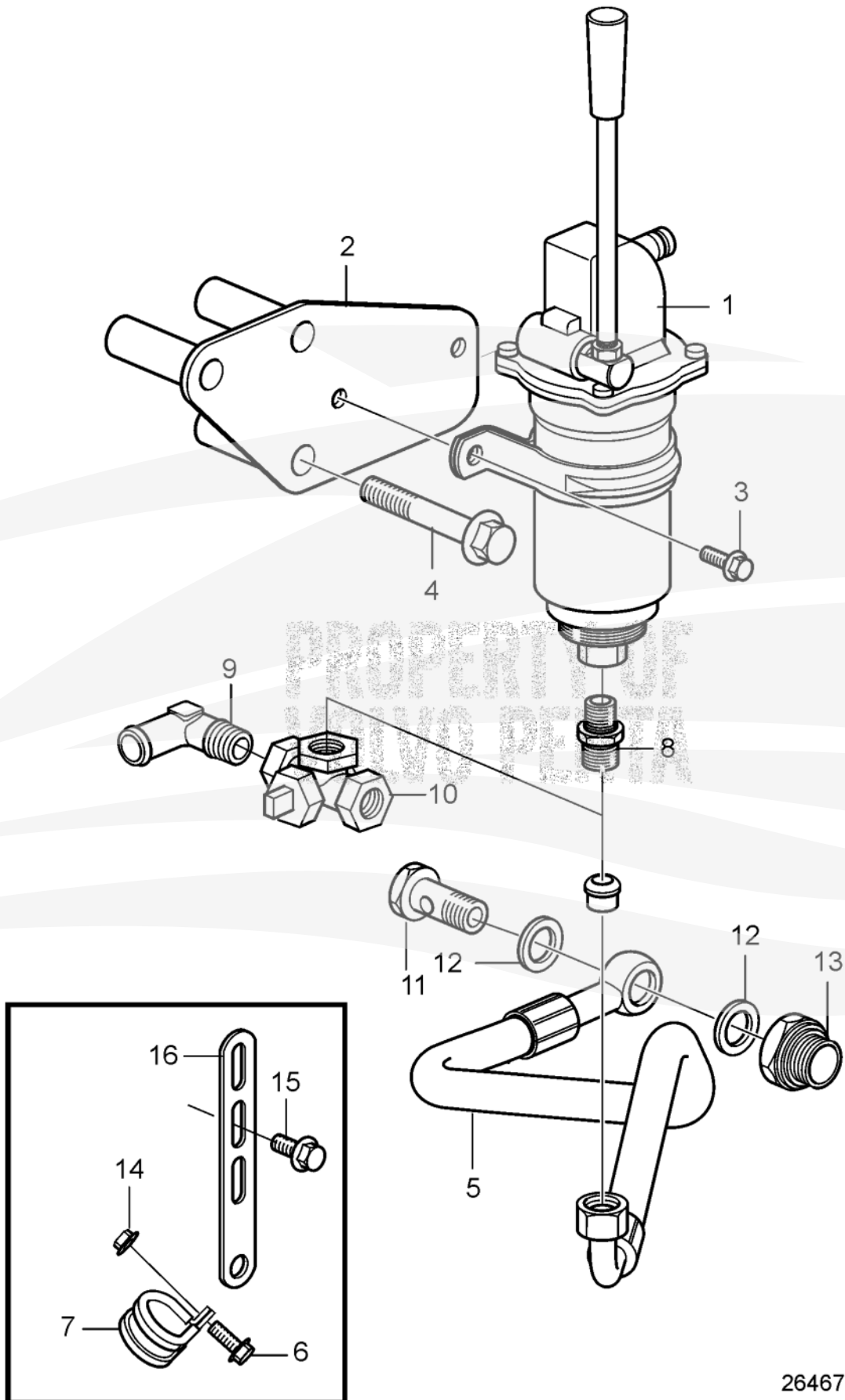


Oil Drain Pump and Installation Parts,
Engine Mounted for Aluminum Sump
D13B-E MG, D13B-E MG (FE), D13B-F MG, D13B-F MG (FE)



26467

**Oil Drain Pump and Installation Parts,
Engine Mounted for Aluminum Sump
D13B-E MG, D13B-E MG (FE), D13B-F MG, D13B-F MG (FE)**

REF	PART NO.	QTY	DESCRIPTION
1	3827475	1	Oil drain pump
2	3595052	1	Bracket
3	984734	2	Flange screw
4	975127	3	Flange screw
5	21879669	1	Hose
6	984734	1	Flange screw
7	949379	1	Clamp
8	16452	1	Double nipple
9	467716	1	Elbow nipple
10	21548817	1	Ball valve
11	966821	1	Hollow screw
12	18813	2	Gasket
13	21171958	1	Plug
14	990940	1	Flange nut
15	984732	2	Flange screw
16	965543	1	Bracket