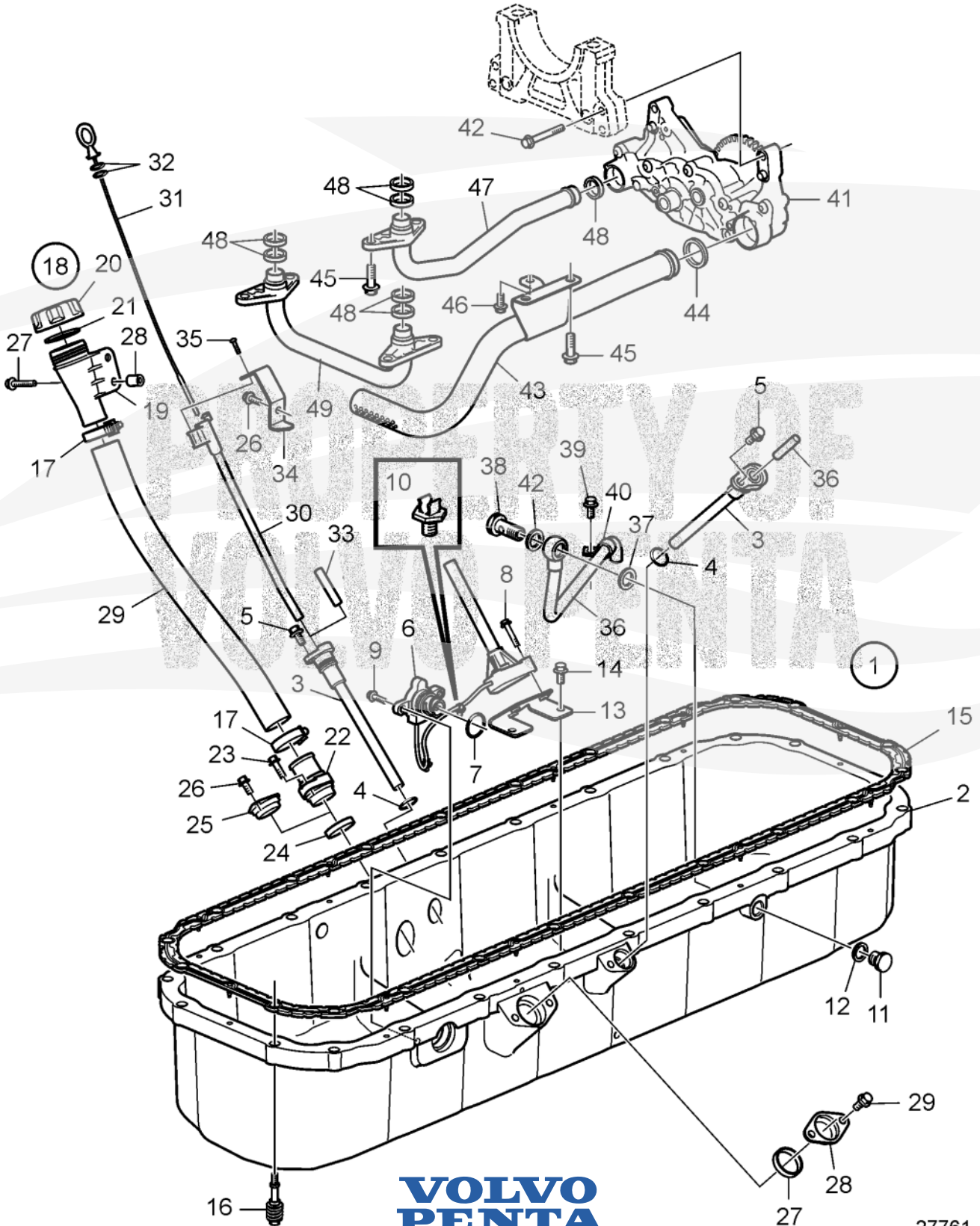
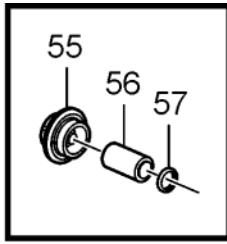
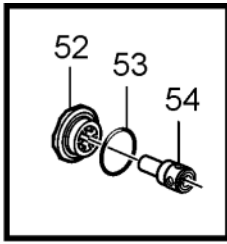
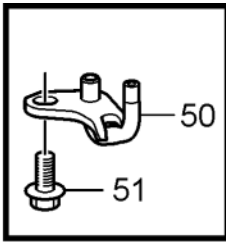


Lubricating System with Shallow Oil Sump

D13B-E MH, D13B-E MH (FE), D13B-N MH, D13B-N MH (FE),
D13C1-A MH, D13C2-A MH



Lubricating System with Shallow Oil Sump

D13B-E MH, D13B-E MH (FE), D13B-N MH, D13B-N MH (FE),
D13C1-A MH, D13C2-A MH



Miami Parts
Marine Engine Services

REF	PART NO.	QTY	DESCRIPTION
1	3593504	1	Oil pan
1	21854670	1	Oil pan Replaced by 22297683
1	22297683	1	Oil pan
2		1	Oil pan
3	21523327	1	Pipe
4	949656	2	O-ring
5	966378	1	Flange screw
6	21521353	1	Oil level sensor
7	990719	1	O-ring
8	984728	3	Flange screw
9	984726	2	Flange screw
10	20700754	2	Retainer
11	982293	1	Plug
12	976931	1	Gasket
13	21104728	1	Bracket
14	984733	3	Flange screw
15	21293367	1	Sealing strip
16	20739547	22	Flange screw
17	961669	4	Hose clamp
18	20808091	1	Oil filter pipe
19	20486943	1	Oil filter pipe Obsolete part
20	20807510	1	Oil filter cap
21	20365079	1	Rubber washer
22	20462497	2	Connection pipe
23	984734	4	Flange screw
24	20555696	2	Sealing ring
25	3964803	2	Plug
26	984733	7	Flange screw
27	994385	2	Flange screw
28	852660	2	Spacer sleeve
29	21364974	1	Hose
30	21173620	1	Pipe
31	21885799	1	Oil dipstick
32	949187	2	O-ring
33	20533484	2	Plug
34	21176233	1	Bracket

Lubricating System with Shallow Oil Sump

D13B-E MH, D13B-E MH (FE), D13B-N MH, D13B-N MH (FE),
D13C1-A MH, D13C2-A MH



Miami Parts
Marine Engine Services

REF	PART NO.	QTY	DESCRIPTION
35	975371	2	Six point socket scr
36	3889666	1	Oil scavenging pipe
37	976931	2	Gasket
38	190714	1	Hollow screw
39	984733	1	Flange screw
40	190229	1	Clamp Obsolete part
41	20824906	1	Oil pump
42	984740	4	Flange screw
43	3889667	1	Oil strainer
44	20451487	1	Sealing ring
45	946472	3	Flange screw
46	984733	1	Flange screw
47	20501240	1	Pressure pipe
48	21092243	7	Sealing ring
49	20498189	1	Pressure pipe
50	3155151	6	Piston cooling jet
51	966378	6	Flange screw
52	1547934	1	Cover
53	948610	1	O-ring
54	22416685	1	Reduction valve
55		1	Cover
56		1	Plug
57	469846	1	Sealing ring