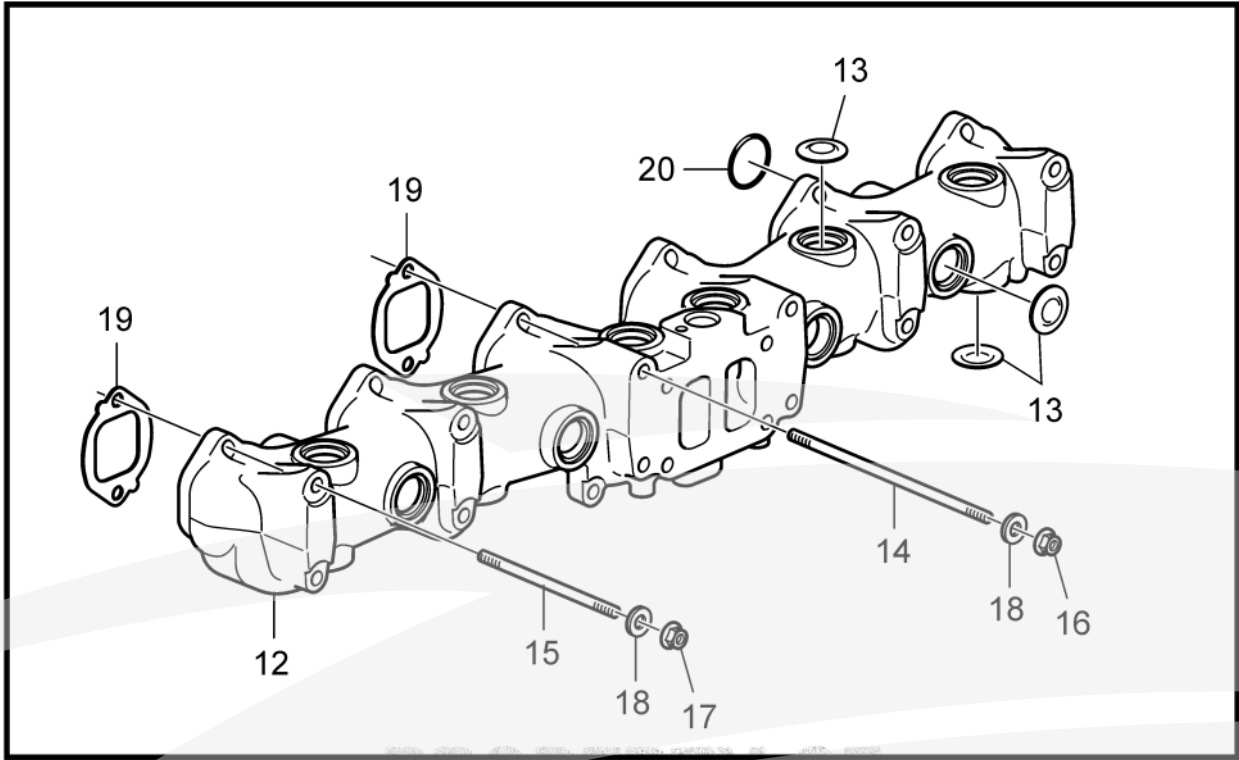
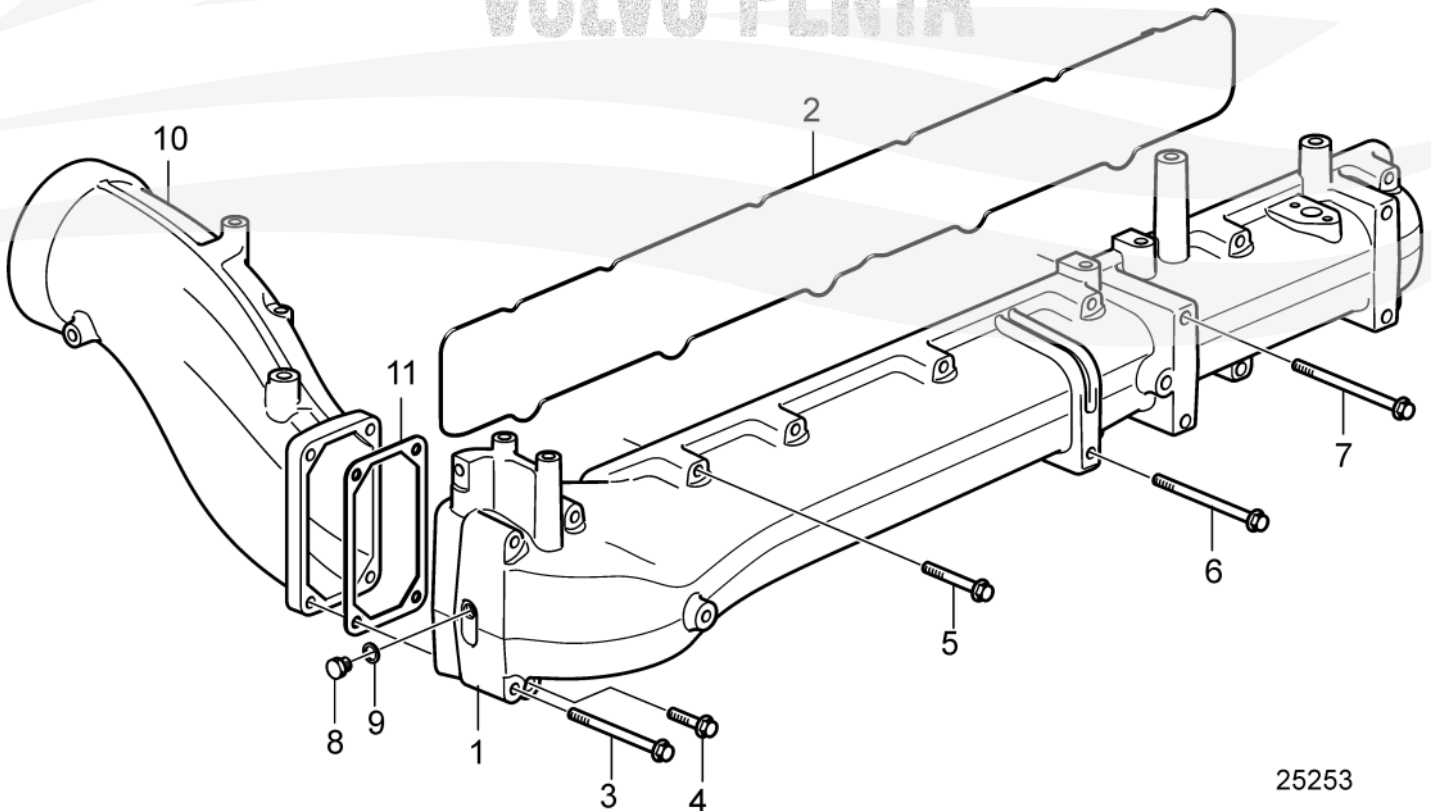


Intake and Exhaust Manifold SN-2013583528  
D13B-B MP, D13B-C MP, D13B-D MP, D13B-G MP,  
D13B-J MP, D13B-K MP, D13B-L MP, D13B-M MP



PROPERTY OF  
VOLVO PENTA



25253

**Intake and Exhaust Manifold SN-2013583528  
D13B-B MP, D13B-C MP, D13B-D MP, D13B-G MP,  
D13B-J MP, D13B-K MP, D13B-L MP, D13B-M MP**

REF	PART NO.	QTY	DESCRIPTION
1	21221926	1	Inlet manifold
2	20805850	1	Seal
3	984744	4	Flange screw
4	984755	1	Flange screw
5	984740	12	Flange screw
6	984734	1	Flange screw
7	984752	4	Flange screw
8	960628	1	Plug
9	947281	1	Gasket
10	3889519	1	Charge air pipe
11	3979639	1	Plane gasket
12	3888479	1	Exhaust manifold Replaced by 21866581, use plug 968955
12	21866581	1	Exhaust manifold Replaced by 22679670, use plug 60112158
12	22679670	1	Exhaust manifold Replaced by 23118827,use plug 22640527+o-ring 975666
12	23118827	1	Exhaust manifold use plug 22640527+o-ring 975666
13	22640527	16	Plug
14	948932	4	Stud L=182mm
15	953007	8	Stud L=150mm
16	994628	4	Flange nut
17	1543499	8	Flange nut
18	941908	12	Spring washer
19	20543071	6	Gasket
20	1547253	2	Sealing ring SN-1013429362
20	975693	2	O-ring Sn1013429363-
20	975666	2	O-ring for Exhaust manifold 22679670 and 23118827