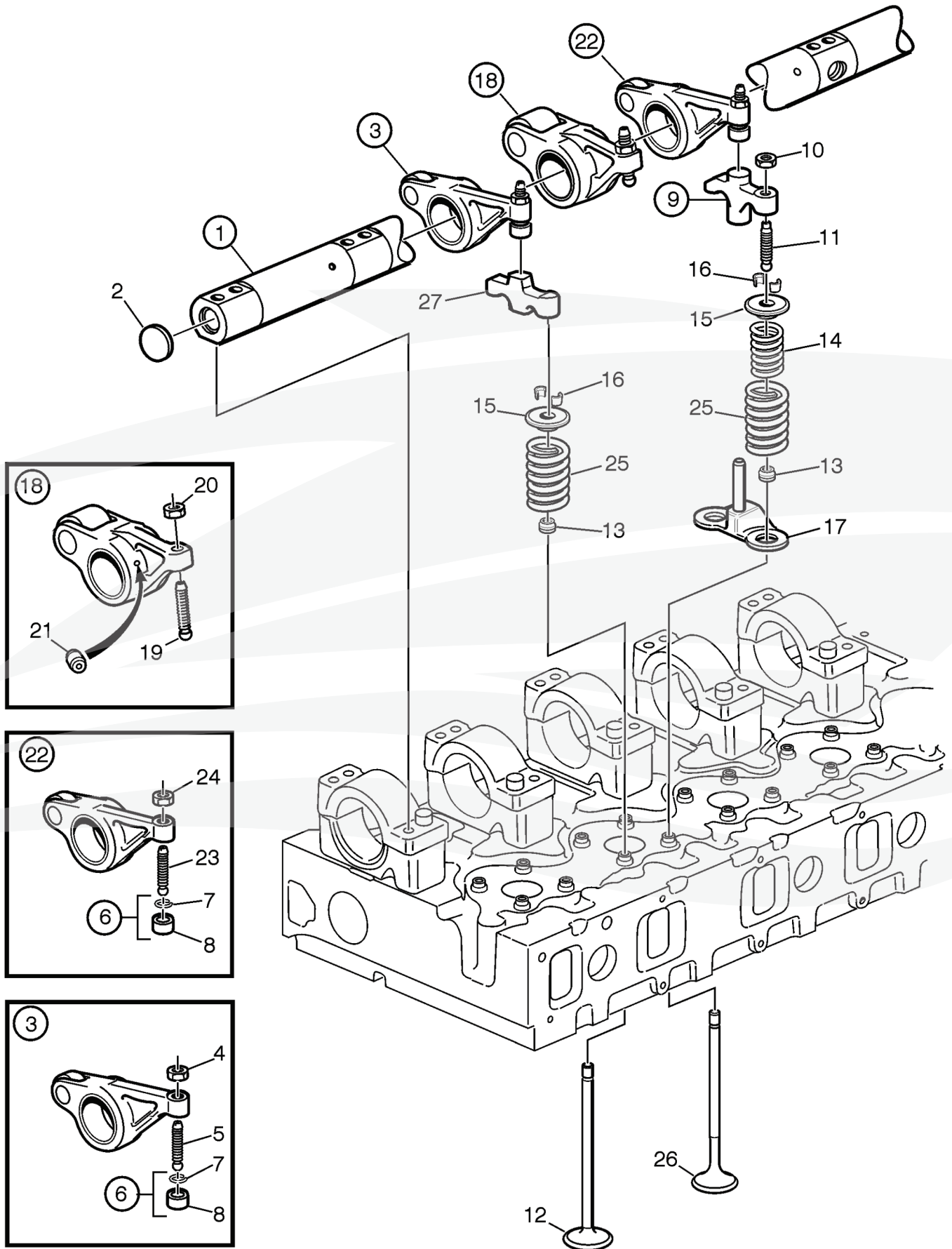


# Valve Mechanism

D12D-A MH, D12D-A MP, D12D-B MH, D12D-B MP, D12D-C MH, D12D-C MP, D12D-D MP, D12D-E MH, D12D-E MP, D12D-F MP, D12D-G MH, D12D-G MP, D12D-H MP



# Valve Mechanism

D12D-A MH, D12D-A MP, D12D-B MH, D12D-B MP,  
D12D-C MH, D12D-C MP, D12D-D MP, D12D-E MH,  
D12D-E MP, D12D-F MP, D12D-G MH, D12D-G MP, D12D-H MP



Miami Parts  
Marine Engine Services

REF	PART NO.	QTY	DESCRIPTION
1	8170158	1	Rocker arm shaft
2	955096	2	Expansion plug (980176)
3	20742698	6	Rocker arm
4	946911	1	Hexagon nut
5	1546458	1	Ball stud
6	20441753	1	Ball socket (1547962)
7	968757	1	O-ring
8		1	Ball seat
9	1547919	6	Valve yoke, exhaust Earlier production 12 pcs
10	946911	1	Hexagon nut
11	1543368	1	Adjusting screw
12	20463800	12	Inlet valve
13	859171	24	Valve stem seal
14	3183211	12	Valve spring, inlet, inner
15	1546487	24	Valve spring washer
16	1677875	48	Valve cotter
17	1677963	6	Guide pin, exhaust Earlier production 12 pcs, exhaust and inlet.
18	20746798	6	Rocker arm, injector
19	1677396	1	Hexagon nut
20	1546775	1	Ball stud
21	3964817	1	Jet
22	20742703	6	Rocker arm, exhaust
23	1546458	1	Ball stud
24	946911	1	Hexagon nut
25	21310068	24	Valve spring, outer
26	20441486	12	Exhaust valve
27	3183207	6	Valve bridge, intake - Earlier production 12pcs