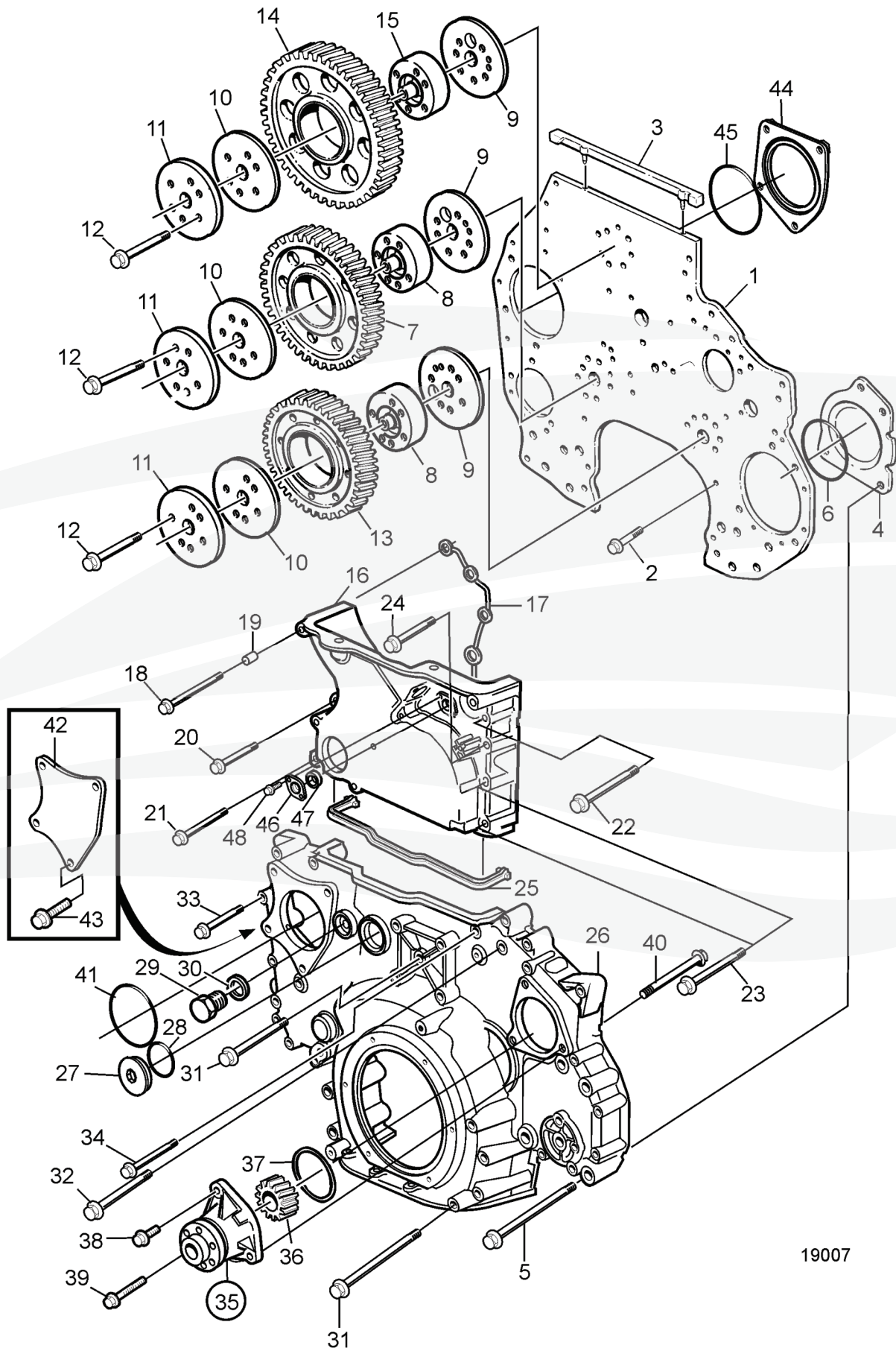


Timing Gear Casing SN-1012645018

D12C-A MP, D12D-A MH, D12D-A MP, D12D-B MH,
D12D-B MP, D12D-C MH, D12D-C MP, D12D-D MP,
D12D-E MH, D12D-E MP, D12D-F MP, D12D-G MH, D12D-G MP, D12D-H MP



19007

Timing Gear Casing SN-1012645018

D12C-A MP, D12D-A MH, D12D-A MP, D12D-B MH,
D12D-B MP, D12D-C MH, D12D-C MP, D12D-D MP,
D12D-E MH, D12D-E MP, D12D-F MP, D12D-G MH, D12D-G MP, D12D-H MP



REF	PART NO.	QTY	DESCRIPTION
1	8170561	1	Timing gear plate Replaced by 21383522
1	21383522	1	Timing gear plate
2	471586	17	Screw L=38mm
3	20489341	1	Seal (8170473)
4	3828662	1	Cover For engines in with keel cooling
5	946473	4	Flange screw For cover 3828662., L=90mm
6	949769	1	O-ring
7	8170193	1	Idler gear
8	8170219	2	Hub
9	8170220	3	Thrust washer
10	3184865	3	Thrust washer
11	3184868	3	Bearing shield
12	21344754	18	Flange screw
13	8170195	1	Idler gear
14	8170197	1	Idler gear
15	8170199	1	Hub
16	20512768	1	Timing gear cover Replaced by 20713791
16	20713791	1	Timing gear cover
17	3830184	1	Seal
18	968999	1	Flange screw L=130mm
19	843075	1	Spacer sleeve
20	965182	3	Flange screw L=80mm
21	965183	1	Flange screw L=90mm
22	965190	1	Flange screw L=100mm
23	947790	2	Flange screw L=80mm
24	965223	1	Flange screw L=75mm
25	20714247	1	Sealing strip (8170452)
26	3835799	1	Timing gear cover - Replaced by timing gear cover 21122283, companion flange 21243814 and 2 pcs screw 3595265
26	21122283	1	Timing gear cover
27	467367	1	Plug
28	469328	1	Gasket
29	960632	1	Plug
30	948884	1	Gasket
31	973096	4	Flange screw L=130mm
32	947790	2	Flange screw L=80mm

Timing Gear Casing SN-1012645018

D12C-A MP, D12D-A MH, D12D-A MP, D12D-B MH,
D12D-B MP, D12D-C MH, D12D-C MP, D12D-D MP,
D12D-E MH, D12D-E MP, D12D-F MP, D12D-G MH, D12D-G MP, D12D-H MP



REF	PART NO.	QTY	DESCRIPTION
33	965217	12	Flange screw L=65mm
34	965183	1	Flange screw L=90mm
35	8193986	1	Driving device
35		1	
36		1	Gear
37	967344	1	O-ring
38	946752	1	Flange screw
39	965190	1	Flange screw
40	3184837	1	Flange screw For driving device. mounted from the opposite side through the fuel pump
41	948981	1	O-ring
42	3827079	1	Cap Obsolete part
43	965197	4	Flange screw
44	1556208	1	Cover
45	948888	1	O-ring
46	3964803	1	Plug
47	20555696	1	Sealing ring
48	946440	2	Flange screw