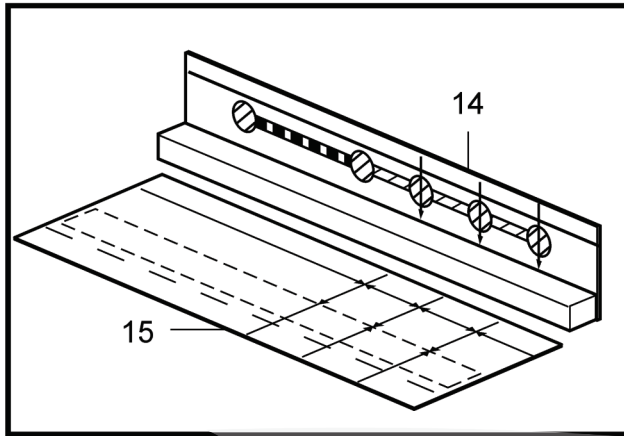
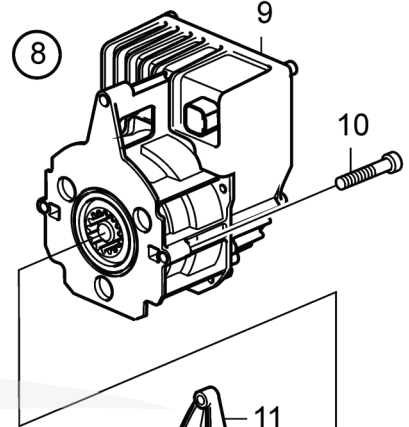


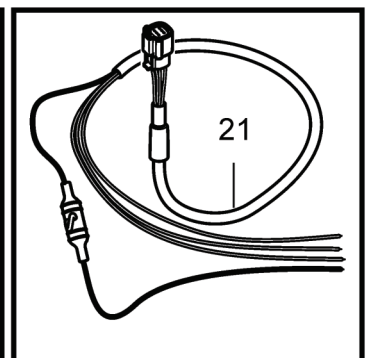
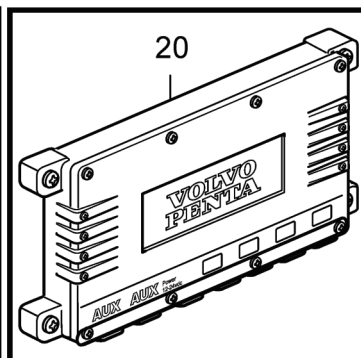
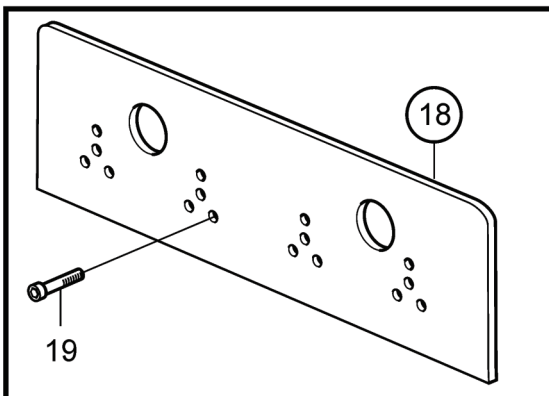
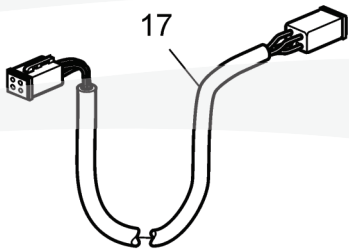
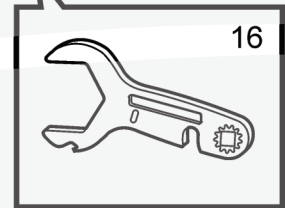
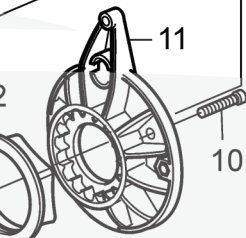
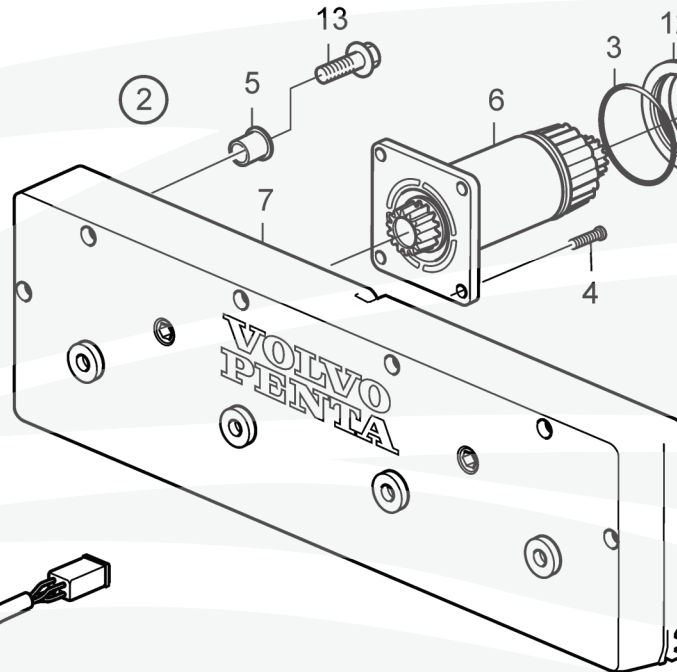
1



8



2



29092

REF	PART NO.	QTY	DESCRIPTION
1		1	Is kit
2	22856107	2	Trimming plate
3	22088469	1	O-ring
4	21955937	4	Six point socket scr
5	22173239	2	Sealing plug
6		1	Shaft
7		1	Trimming plate
8	21948237	2	Kit
9	21875630	1	Servo unit Obsolete part
10	996733	3	Hex. socket screw Replaced by 997677
10	997677	3	Hex. socket screw
11	21888972	2	Drive plate, Servo Flange
12	22399349	2	Flange nut
13	21890471	6	Six point socket scr
14	22856111	1	Drill template
15	22856113	1	Support
16	21888526	1	Wrench, Wrench
17	21875632	2	Wiring harness
18	22944156	2	Mounting plate kit
19	996642	4	Hex. socket screw
20	22894802	1	lcm gyro
21	21888965	1	Power cable