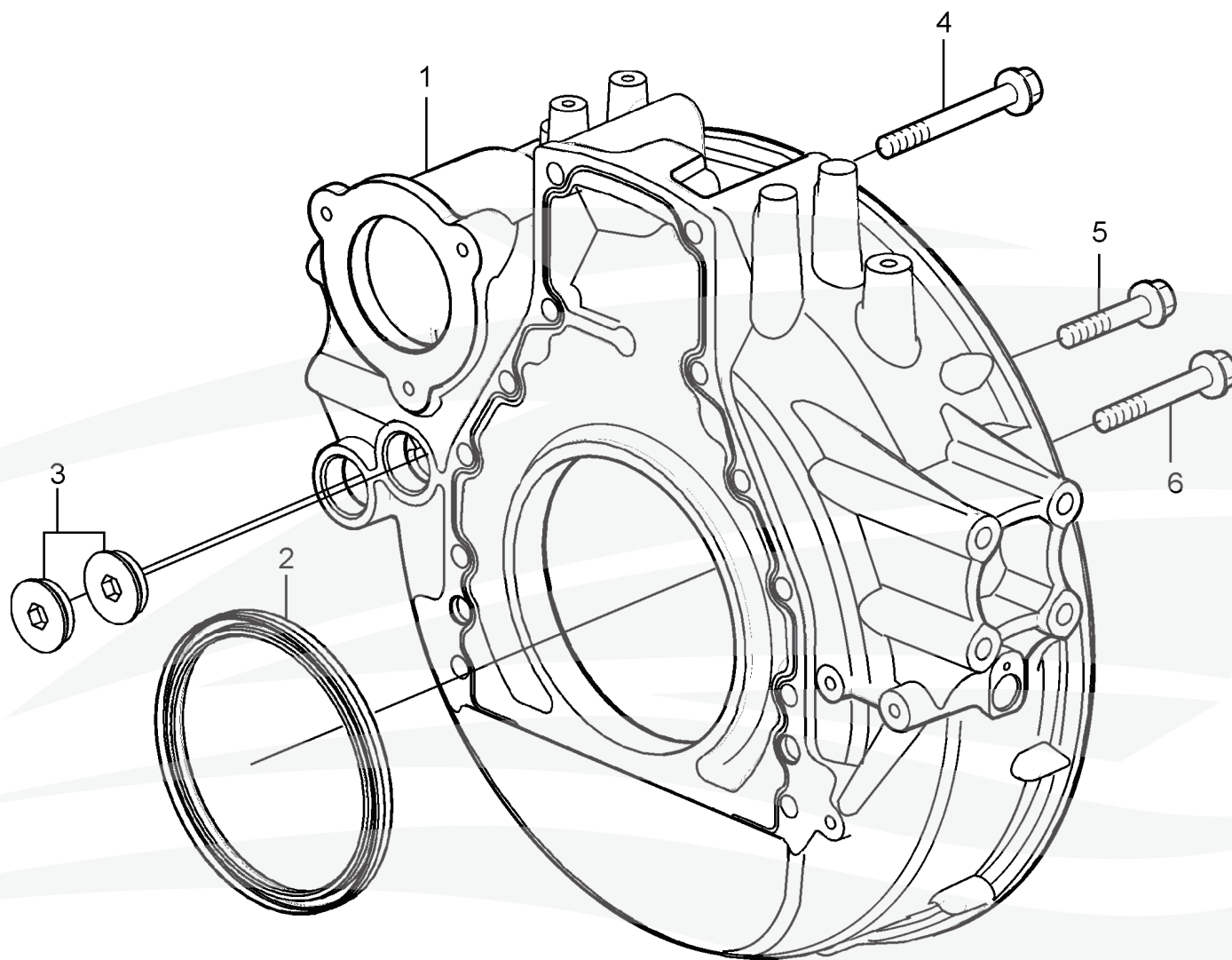


Flywheel Housing

D12C-A MP, D12D-A MP, D12D-B MP, D12D-C MP,
D12D-D MP, D12D-E MP, D12D-F MP, D12D-G MP,
D12D-H MP



Flywheel Housing

D12C-A MP, D12D-A MP, D12D-B MP, D12D-C MP,
D12D-D MP, D12D-E MP, D12D-F MP, D12D-G MP,
D12D-H MP

REF	PART NO.	QTY	DESCRIPTION
1	3827078	1	Flywheel housing
2	85108352	1	Crankshaft seal (1543896)
3	467367	2	Plug
4	966371	2	Flange screw L=140mm
5	966364	8	Flange screw L=70mm
6	966366	2	Flange screw L=90mm