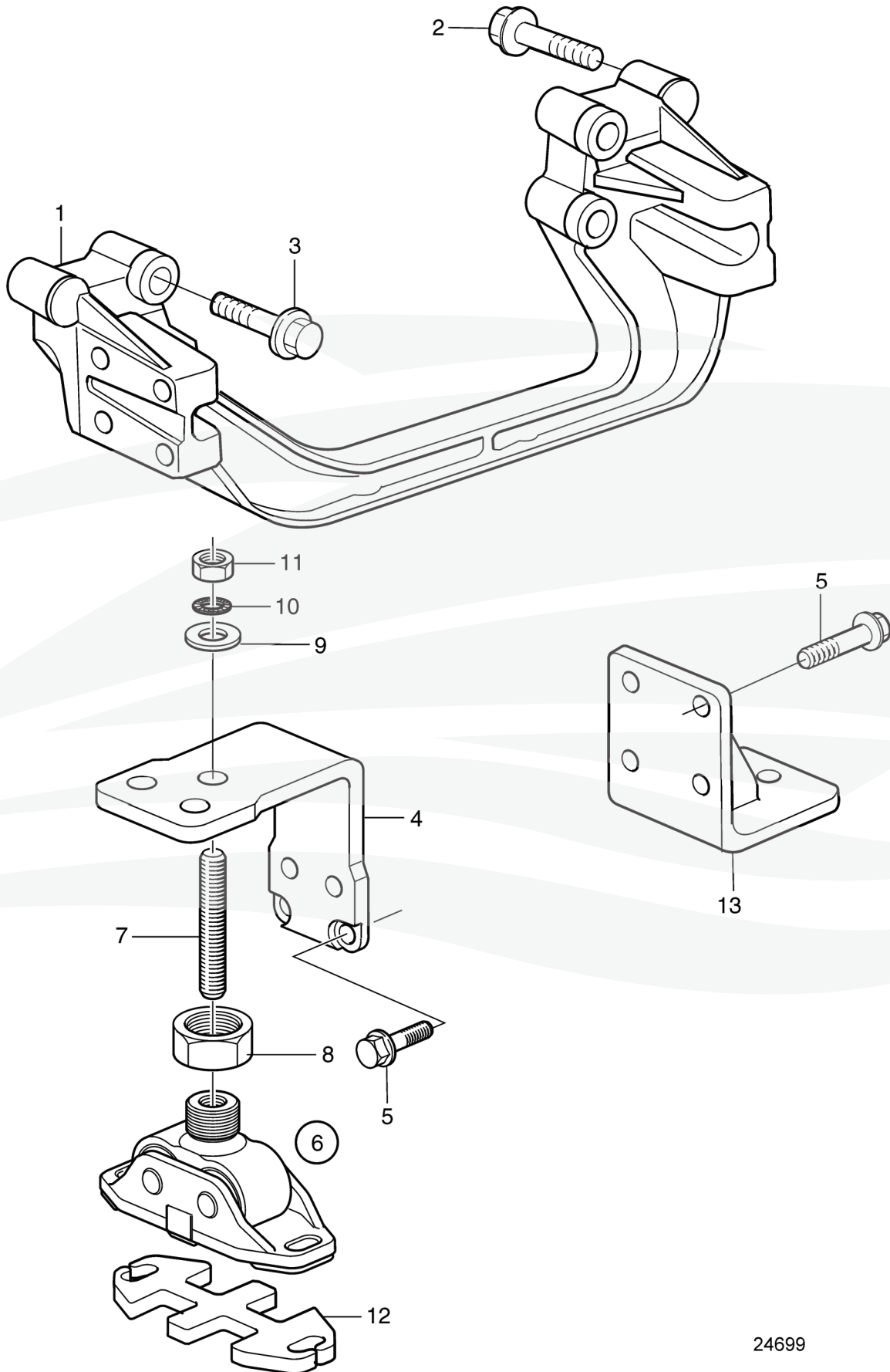


Flexible Engine Suspension, High

D12C-A MP, D12D-A MH, D12D-A MP, D12D-B MH,
D12D-B MP, D12D-C MH, D12D-C MP, D12D-D MP,
D12D-E MH, D12D-E MP, D12D-F MP, D12D-G MH, D12D-G MP, D12D-H MP



24699

Flexible Engine Suspension, High

D12C-A MP, D12D-A MH, D12D-A MP, D12D-B MH,
D12D-B MP, D12D-C MH, D12D-C MP, D12D-D MP,
D12D-E MH, D12D-E MP, D12D-F MP, D12D-G MH, D12D-G MP, D12D-H MP



REF	PART NO.	QTY	DESCRIPTION
1	865410	1	Engine mounting
2	975120	4	Flange screw
3	967786	4	Flange screw
4	3826586	2	Engine mounting, front
5	968435	16	Flange screw
6	3843493	4	Rubber cushion kit
7	3817323	4	Adjusting screw
8	3840980	4	Nut
9	991994	4	Washer
10	990697	4	Lock washer
11	955786	4	Hexagon nut
12	3840346	4	Spacer plate
13	3827456	2	Bracket, Rear - Only mounted in flywheel housing on D12C-A MP, D12D-A MP, D12D-D MP