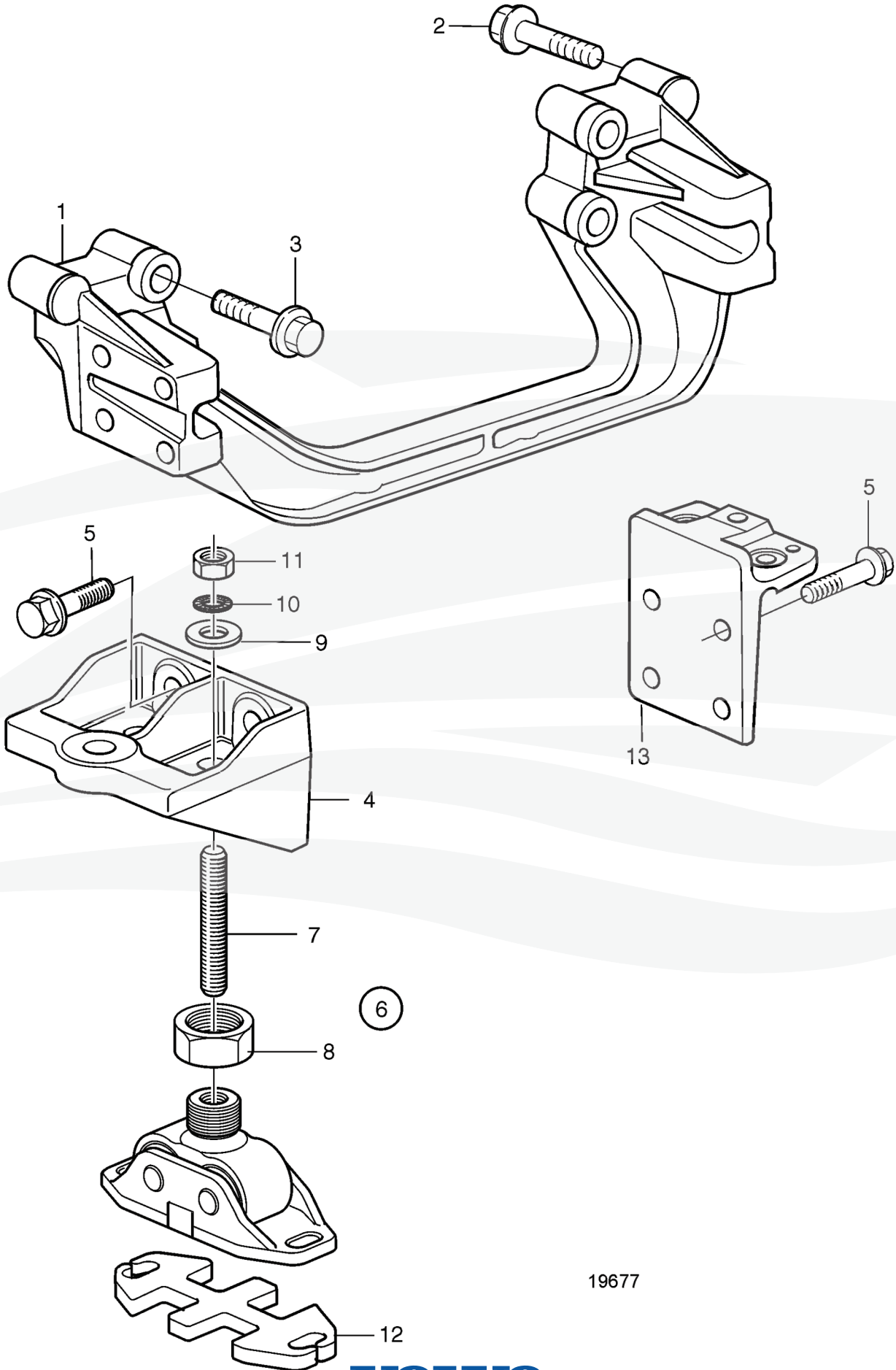


Flexible Engine Suspension, Low  
D12C-A MP, D12D-A MH, D12D-A MP, D12D-B MH,  
D12D-B MP, D12D-C MH, D12D-C MP, D12D-E MH,  
D12D-G MH, D12D-G MP, D12D-H MP



19677

**Flexible Engine Suspension, Low**  
**D12C-A MP, D12D-A MH, D12D-A MP, D12D-B MH,**  
**D12D-B MP, D12D-C MH, D12D-C MP, D12D-E MH,**  
**D12D-G MH, D12D-G MP, D12D-H MP**

REF	PART NO.	QTY	DESCRIPTION
1	865410	1	Engine mounting
2	975120	4	Flange screw
3	967786	4	Flange screw
4	3832659	2	Engine mounting, front
5	968435	8	Flange screw
6	3843493	4	Rubber cushion kit (3827434)
7	3817323	4	Adjusting screw
8	3840980	4	Nut
9	991994	4	Washer
10	990697	4	Lock washer
11	955786	4	Hexagon nut
12	3840346	4	Spacer plate
13	3832439	2	Engine mounting, Rear Only mounted in flywheel housing on D12C-A MP, D12D-A MP, D12D-D MP