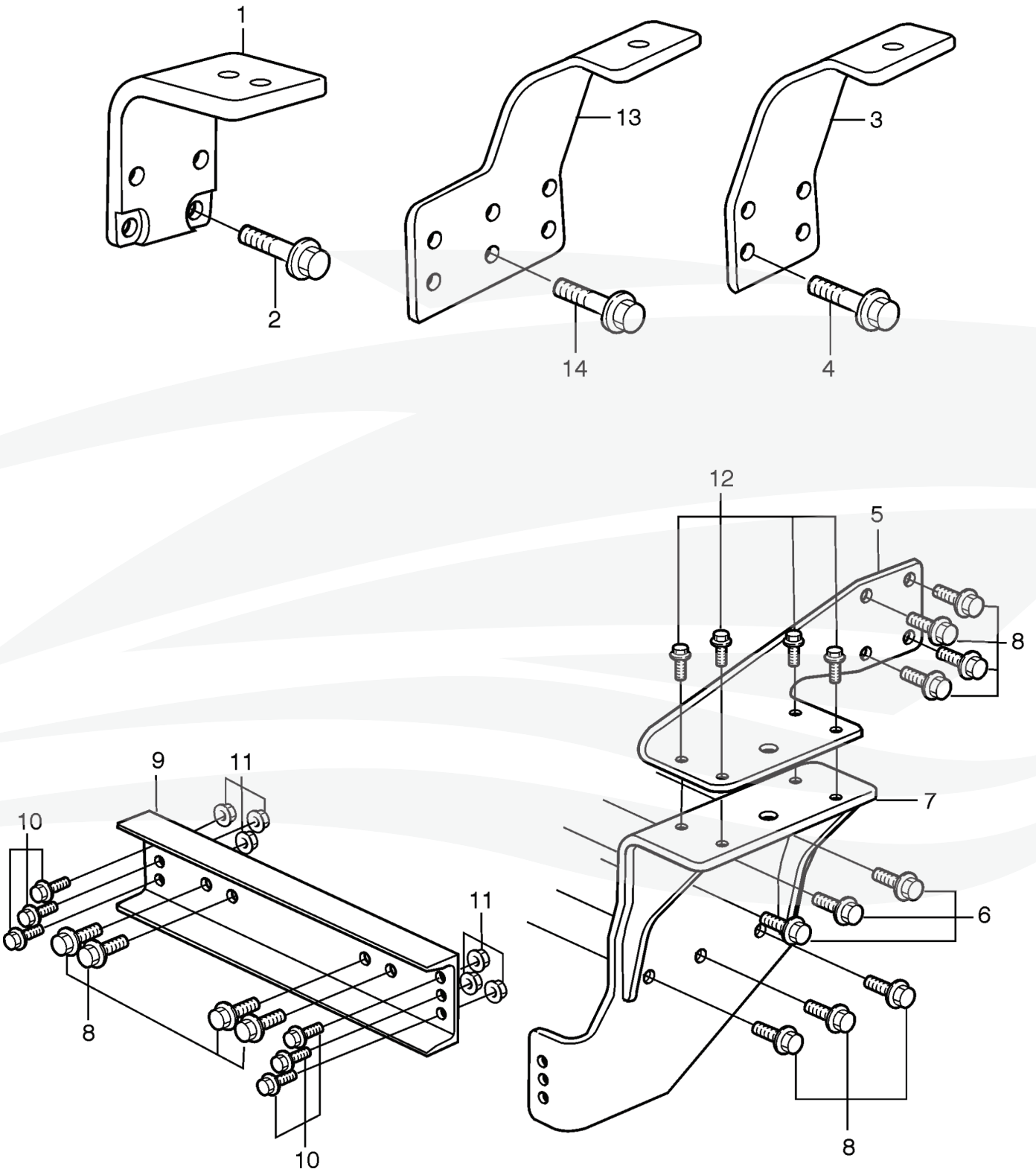


Engine Suspension for Reverse Gear ZF311A,
ZF325A, ZF350: ZF311A / D12C-A MP, D12D-A MP,
D12D-B MP, D12D-C MP, D12D-D MP, D12D-G MP,
D12D-H MP



19015

**Engine Suspension for Reverse Gear ZF311A,
ZF325A, ZF350: ZF311A / D12C-A MP, D12D-A MP,
D12D-B MP, D12D-C MP, D12D-D MP, D12D-G MP,
D12D-H MP**

REF	PART NO.	QTY	DESCRIPTION
1	3827446	2	Bracket
2	968435	8	Flange screw
3	3827845	1	Bracket Earlier prod.
4	968435	1	Flange screw
5	3830483	1	Engine mounting S.B.
5	3830484	1	Engine mounting P
6	968436	1	Flange screw
7	3829235	1	Bracket Obsolete part, S.B
7	3829234	1	Bracket Obsolete part, P
8	968435	1	Flange screw
9	3829236	1	Bracket Obsolete part
10	965185	1	Flange screw
11	971098	1	Flange lock nut
12	946329	1	Flange screw
13	3835669	1	Engine mounting SB later prod
13	3835668	1	Engine mounting P later prod
14	968435	1	Flange screw