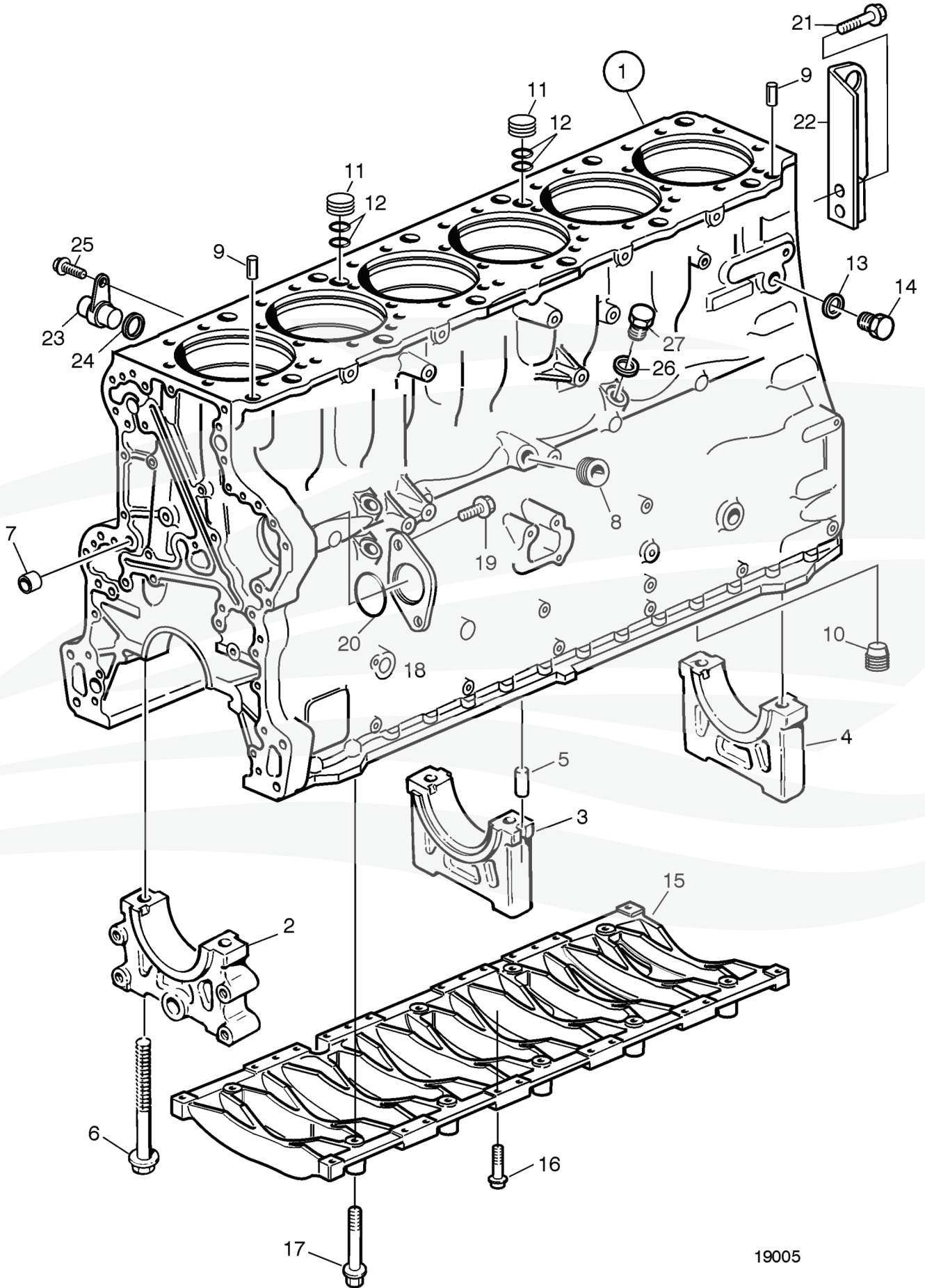


Cylinder Bloc
D12D-A MP, D12D-B MP, D12D-C MP, D12D-D MP,
D12D-E MP, D12D-F MP, D12D-G MP, D12D-H MP



19005

Cylinder Bloc
D12D-A MP, D12D-B MP, D12D-C MP, D12D-D MP,
D12D-E MP, D12D-F MP, D12D-G MP, D12D-H MP

REF	PART NO.	QTY	DESCRIPTION
1	8130120	1	Cylinder block Replaced by 20412465
1	20412465	1	Cylinder block Replaced by 20451181
1	20451181	1	Cylinder block
2		1	Main bearing cap, front
3		5	Main bearing cap
4		1	Main bearing cap, Rear
5	422426	1	Pin
6	1547040	14	Flange screw
7	981735	3	Cap plug
8	981245	1	Plug For 8170120
9	8170389	2	Guide sleeve
10	8170666	1	Plug Obsolete part
11	3165099	2	Plug SN-2012296775
12	976038	4	O-ring
13	18677	2	Gasket
14	960634	2	Plug
15	20397778	1	Frame L=822mm
16	973523	24	Hex. socket screw
17	965187	8	Flange screw
18	3828400	1	Cover
19	946441	2	Flange screw
20	967344	1	O-ring
21	975121	2	Flange screw
22		1	Lifting eye
23	1549140	1	Plug
24	1547255	1	Sealing ring
25	946173	1	Flange screw
26	11996	3	Gasket
27	960631	3	Plug