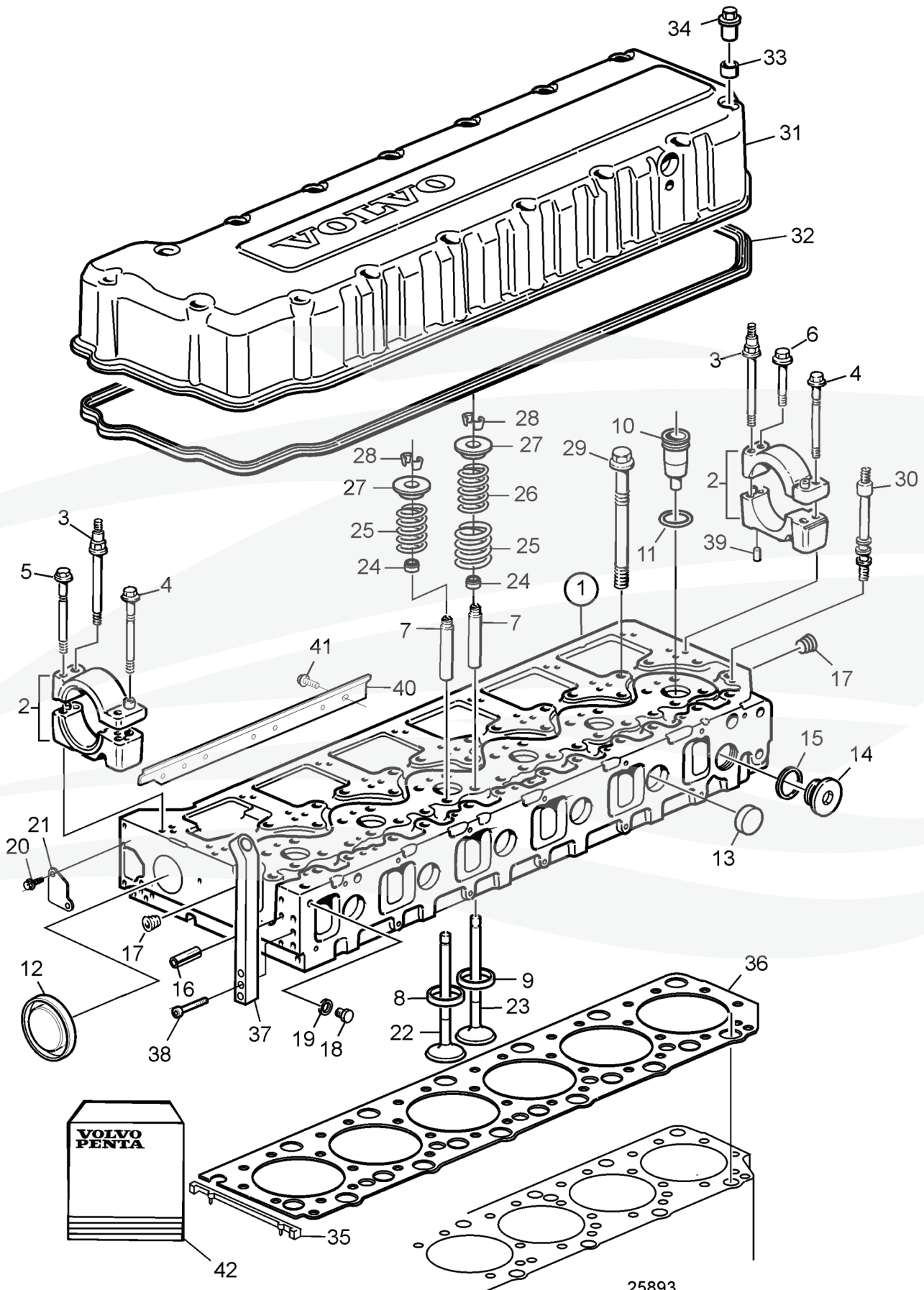


Cylinder Head / D12D-A MH, D12D-A MP, D12D-B MH,
D12D-B MP, D12D-C MH, D12D-C MP, D12D-D MP,
D12D-E MH, D12D-E MP, D12D-F MP, D12D-G MH, D12D-G MP, D12D-H MP



**Cylinder Head / D12D-A MH, D12D-A MP, D12D-B MH,
D12D-B MP, D12D-C MH, D12D-C MP, D12D-D MP,
D12D-E MH, D12D-E MP, D12D-F MP, D12D-G MH, D12D-G MP, D12D-H MP**

REF	PART NO.	QTY	DESCRIPTION
1	3803666	1	Cylinder head (3586648)
1	23134313	1	Cylinder head
2	3165130	1	Bearing housing, front
2	3165136	6	Bearing housing
3	21344812	7	Stud
4	21344776	14	Flange screw L=127mm
5	21344752	1	Flange screw L=106mm
6	1677283	6	Flange screw L=70mm
7	20817645	24	Valve guide Replaced by 20905400
7	20905400	24	Valve guide
8	20482579	12	Valve seat, inlet Std
9	20412798	12	Valve seat, outlet Std
9	20430463	12	Valve seat O.S=0,20mm
10	85104134	6	Copper sleeve kit
11	20536487	1	O-ring
12	8170553	1	Expansion plug
13	8131707	11	Cap plug
14	3165025	1	Plug
15	949659	1	O-ring
16	422426	1	Pin
17	968062	2	Plug
18	20441335	1	Plug
19	947281	1	Gasket
20	946440	2	Flange screw
21	3828003	1	Cap
22	20463800	12	Inlet valve
23	20441486	12	Exhaust valve
24	859171	24	Valve stem seal
25	21310068	24	Valve spring
26	3183211	12	Valve spring, inlet, inner
27	1546487	24	Valve spring washer
28	1677875	48	Valve cotter
29	21345131	38	Flange screw
30	21344784	9	Stud
31	20545669	1	Valve cover (20450395)
32	21123014	1	Sealing strip

REF	PART NO.	QTY	DESCRIPTION
33	3964604	16	Bushing
34	8148488	16	Cap nut
35	20489341	1	Seal (8170473)
36	3099100	1	Gasket kit (3093503)
37	3826657	1	Lifting eye Obsolete part
38	959265	3	Hex. socket screw
39	950562	14	Pin Included in overhaul kit 3165309
40	20566300	1	Heat shield
41	946441	3	Flange screw
42	3830718	1	Gasket kit See group 99