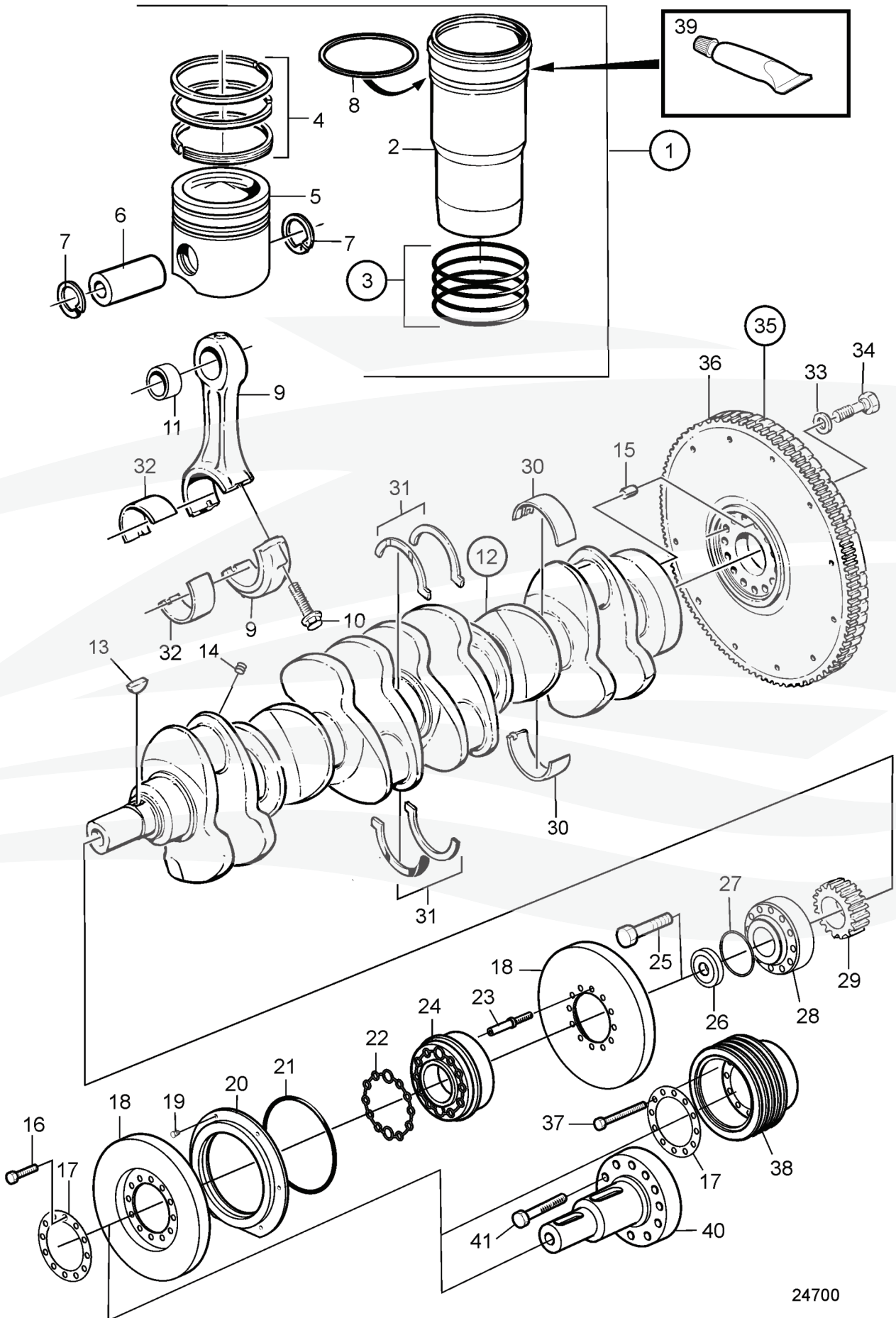


Crank Mechanism SN1012631189- SN-1012645018
D12C-A MP, D12D-A MP, D12D-C MP, D12D-E MP,
D12D-F MP, D12D-G MP, D12D-H MP



24700

**Crank Mechanism SN1012631189- SN-1012645018
D12C-A MP, D12D-A MP, D12D-C MP, D12D-E MP,
D12D-F MP, D12D-G MP, D12D-H MP**

REF	PART NO.	QTY	DESCRIPTION
1	877573	6	Cylinder liner kit Replaced by 3848525
1	3848525	6	Cylinder liner kit
2		1	Cylinder liner
3	270950	1	Gasket kit
4	3840819	1	Piston ring kit Replaced by 3848522
4	3848522	1	Piston ring kit
5		1	Piston
6	3155115	1	Piston pin
7	914530	2	Snap ring
8	1677591	6	Shim TH=0.20mm
8	1677592	6	Shim TH=0.30mm
8	1677593	6	Shim TH=0.50mm
9	3828243	6	Connecting rod, classifiable (3184823)
9	20412200	6	Connecting rod
10	1543035	12	Flange screw
11	20381185	6	Bushing (470304)
12	3832928	1	Crankshaft, classifiable
12	20533078	1	Crankshaft
13	422253	1	Woodruff key
14	978130	6	Plug
15	950645	1	Pin
16	963254	10	Hexagon screw
17	8193962	1	Washer
18	8193930	2	Vibration damper
19	946173	6	Flange screw
20	40005678	1	Sealing ring
21	3832906	1	O-ring
22	3827530	1	Sealing ring
23	3595265	2	Screw
24	21243814	1	Companion flange
25	1543316	1	Screw
26	422124	1	Washer
27	945512	1	O-ring
28	1549407	1	Hub
29	8170192	1	Gear
30	20530916	7	Main bearing kit Std, (276615)

**Crank Mechanism SN1012631189- SN-1012645018
D12C-A MP, D12D-A MP, D12D-C MP, D12D-E MP,
D12D-F MP, D12D-G MP, D12D-H MP**



REF	PART NO.	QTY	DESCRIPTION
30		7	Bearing shell, upper Marked 20530902
30		7	Bearing shell, lower Marked 20530900
30	20578624	7	Main bearing kit U.S=0.25mm, (276616)
30		7	Bearing shell, upper Marked 20578619
30		7	Bearing shell, lower Marked 20578613
30	20578625	7	Main bearing kit U.S=0.50mm, (276617)
30		7	Bearing shell, upper Marked 20578620
30		7	Bearing shell, lower Marked 20578614
30	20578626	7	Main bearing kit Obsolete part, U.S=0.75mm, (276618)
30		7	Bearing shell, upper Marked 20578621
30		7	Bearing shell, lower Marked 20578615
30	20578627	7	Main bearing kit U.S=1.00mm, (276619)
30		7	Bearing shell, upper Marked 20578622
30		7	Bearing shell, lower Marked 20578616
30	20578628	7	Main bearing kit Obsolete part, U.S=1.25mm, (276620)
30		7	Bearing shell, upper Marked 20578623
30		7	Bearing shell, lower Marked 20578617
31	3093651	1	Thrust washer kit Std
31	3093652	1	Thrust washer kit TH=0,10mm
31	3093653	1	Thrust washer kit TH=0.20mm
32	276134	6	Big-end bearing shel Std
32	276135	6	Big-end bearing shel U.S=0.25mm
32	276136	6	Big-end bearing shel U.S=0.50mm
32	276137	6	Big-end bearing shel Obsolete part, U.S=0.75mm
32	276334	6	Big-end bearing shel U.S=1.00mm
32	276349	6	Big-end bearing shel Obsolete part, U.S=1.25mm
33	1543563	14	Washer
34	1677893	14	Hexagon screw
35	3841339	1	Flywheel
36	20711957	1	Ring gear
37	970893	10	Hexagon screw
38	3826648	1	V-belt pulley
39	1161231	1	Sealant 304ml
39	1161277	1	Sealant 20g
40	3831617	1	Axle shaft Alt
41	970891	10	Hexagon screw For drive shaft 3831617