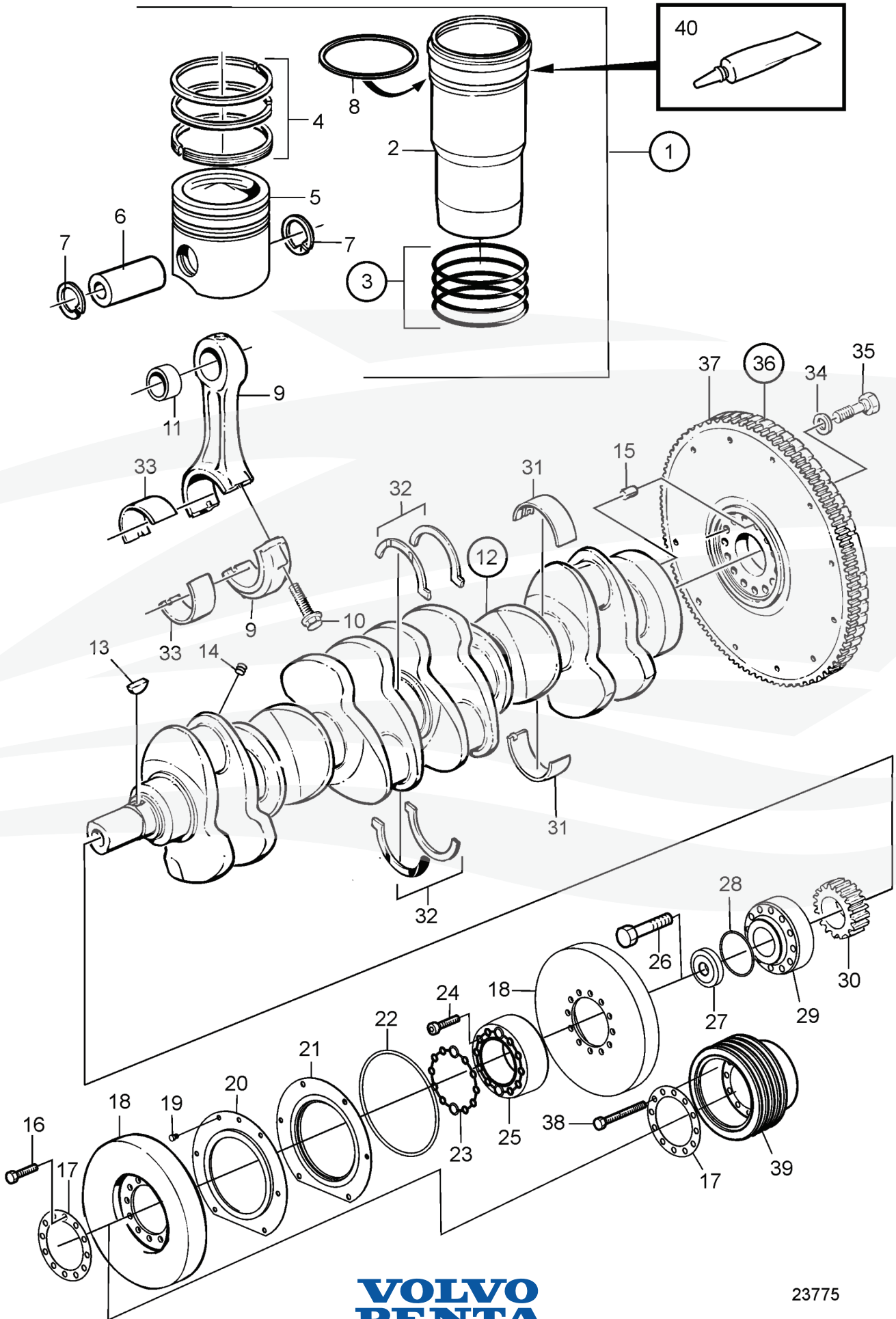


Crank Mechanism

D12D-B MP, D12D-D MP, D12D-F MP, D12D-G MP,
D12D-H MP



Crank Mechanism
D12D-B MP, D12D-D MP, D12D-F MP, D12D-G MP,
D12D-H MP

REF	PART NO.	QTY	DESCRIPTION
1	3840818	6	Cylinder liner kit Replaced by 3848526
1	3848526	6	Cylinder liner kit
2		1	Cylinder liner
3	270950	1	Gasket kit
4	3840819	1	Piston ring kit Replaced by 3848522
4	3848522	1	Piston ring kit
5		1	Piston
6	3155115	1	Piston pin
7	914530	2	Snap ring
8	1677591	6	Shim TH=0.20mm
8	1677592	6	Shim TH=0.30mm
8	1677593	6	Shim TH=0.50mm
9	20412200	6	Connecting rod
9	3828243	6	Connecting rod, classifiable
10	1543035	12	Flange screw
11	20381185	6	Bushing - Demands surface treatment and must not be replaced separately.
12	3832928	1	Crankshaft, classifiable
12	20533078	1	Crankshaft
13	422253	1	Woodruff key
14	978130	6	Plug
15	950645	1	Pin
16	963254	10	Hexagon screw
17	8193962	1	Washer
18	8193930	2	Vibration damper
19	946440	6	Flange screw
20	3827504	1	Dust cover
21	3832863	1	Sealing ring
22	3832906	1	O-ring
23	3827530	1	Sealing ring
24	974111	2	Hex. socket screw
25	3826656	1	Companion flange
26	1543316	1	Screw
27	422124	1	Washer
28	945512	1	O-ring
29	1549407	1	Hub
30	8170192	1	Gear

REF	PART NO.	QTY	DESCRIPTION
31	20530916	7	Main bearing kit Std, (276615)
31		7	Bearing shell, upper Marked 20530902
31		7	Bearing shell, lower Marked 20530900
31	20578624	7	Main bearing kit U.S=0.25mm, (276616)
31		7	Bearing shell, upper Marked 20578619
31		7	Bearing shell, lower Marked 20578613
31	20578625	7	Main bearing kit U.S=0.50mm, (276617)
31		7	Bearing shell, upper Marked 20578620
31		7	Bearing shell, lower Marked 20578614
31	20578626	7	Main bearing kit Obsolete part, U.S=0.75mm, (276618)
31		7	Bearing shell, upper Marked 20578621
31		7	Bearing shell, lower Marked 20578615
31	20578627	7	Main bearing kit U.S=1.00mm, (276619)
31		7	Bearing shell, upper Marked 20578622
31		7	Bearing shell, lower Marked 20578616
31	20578628	7	Main bearing kit Obsolete part, U.S=1.25mm, (276620)
31		7	Bearing shell, upper Marked 20578623
31		7	Bearing shell, lower Marked 20578617
32	3093651	4	Thrust washer kit Std
32	3093652	4	Thrust washer kit TH=0,10mm
32	3093653	4	Thrust washer kit TH=0.20mm
33	276134	6	Big-end bearing shel Std
33	276135	6	Big-end bearing shel U.S=0.25mm
33	276136	6	Big-end bearing shel U.S=0.50mm
33	276137	6	Big-end bearing shel Obsolete part, U.S=0.75mm
33	276334	6	Big-end bearing shel U.S=1.00mm
33	276349	6	Big-end bearing shel Obsolete part, U.S=1.25mm
34	1543563	14	Washer
35	1677893	14	Hexagon screw
36	3841339	1	Flywheel
37	20711957	1	Ring gear
38	970893	10	Hexagon screw
39	3826648	1	V-belt pulley
40	1161231	1	Sealant 304ml
40	1161277	1	Sealant 20g