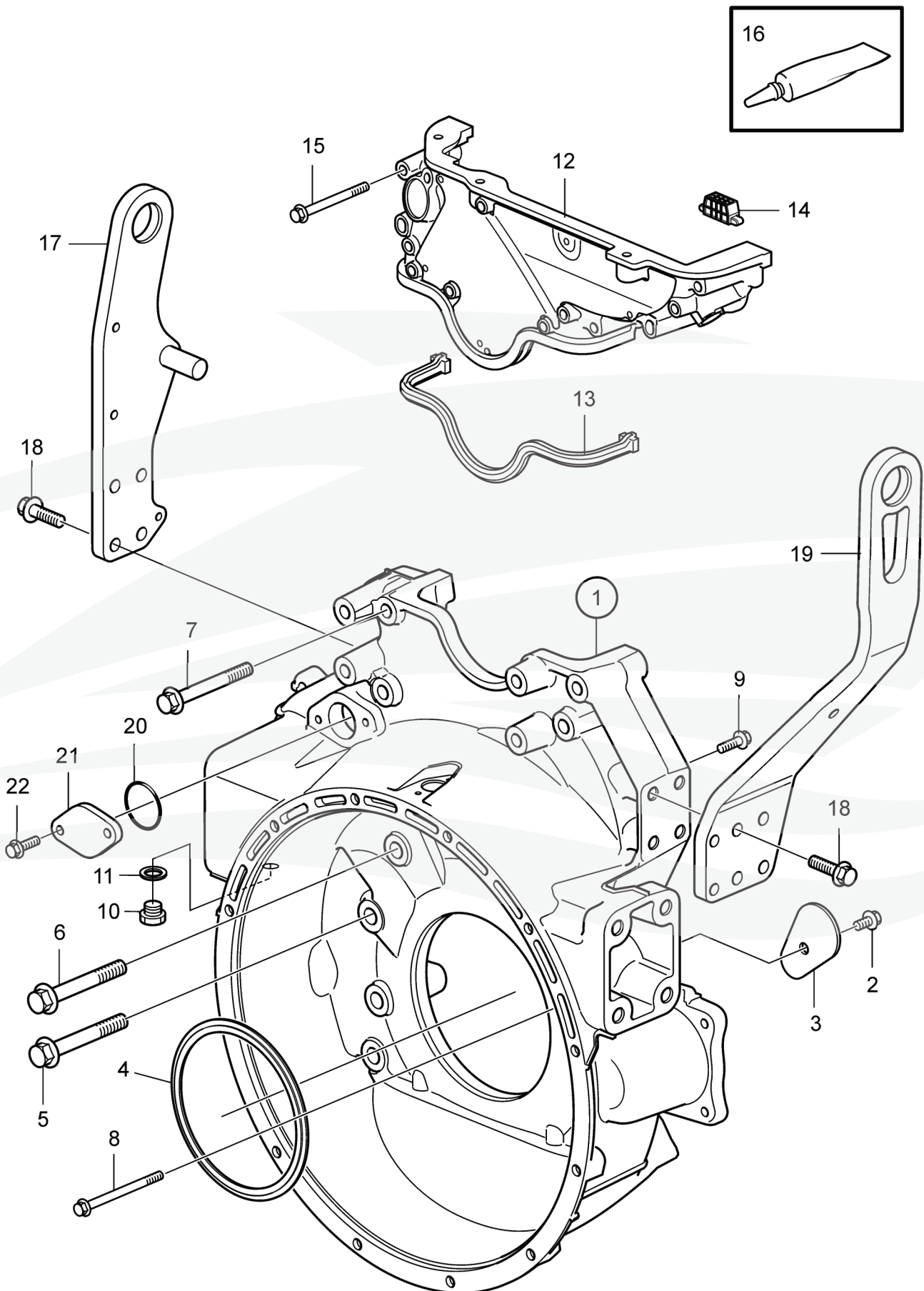


Flywheel Housing D11B3-A MP, D11B4-A MP



| REF | PART NO. | QTY | DESCRIPTION |
|-----|----------|-----|-------------------------------|
| 1 | 22487118 | 1 | Flywheel housing |
| 2 | 984733 | 1 | Flange screw |
| 3 | 3849378 | 1 | Cover plate |
| 4 | 8148259 | 1 | Crankshaft seal SN-7011385240 |
| 4 | 22086413 | 1 | Crankshaft seal SN7011385241 |
| 5 | 984865 | 1 | Flange screw L=120mm |
| 6 | 984863 | 6 | Flange screw L=100mm |
| 7 | 984820 | 4 | Flange screw L=100mm |
| 8 | 975192 | 1 | Flange screw L=100mm |
| 9 | 984734 | 6 | Flange screw L=20mm |
| 10 | 966144 | 1 | Plug |
| 11 | 11998 | 1 | Gasket |
| 12 | 22672833 | 1 | Timing gear cover |
| 13 | 20817742 | 1 | Gasket |
| 14 | 21185132 | 2 | Seal |
| 15 | 994389 | 5 | Flange screw L=85mm |
| 16 | 1161277 | 1 | Sealant 20g |
| 17 | 3589187 | 1 | Lifting eye Obsolete part |
| 18 | 984726 | 6 | Flange screw |
| 19 | 21328797 | 1 | Lifting eye |
| 20 | 948610 | 1 | O-ring |
| 21 | 3595044 | 1 | Cover |
| 22 | 984735 | 2 | Flange screw |