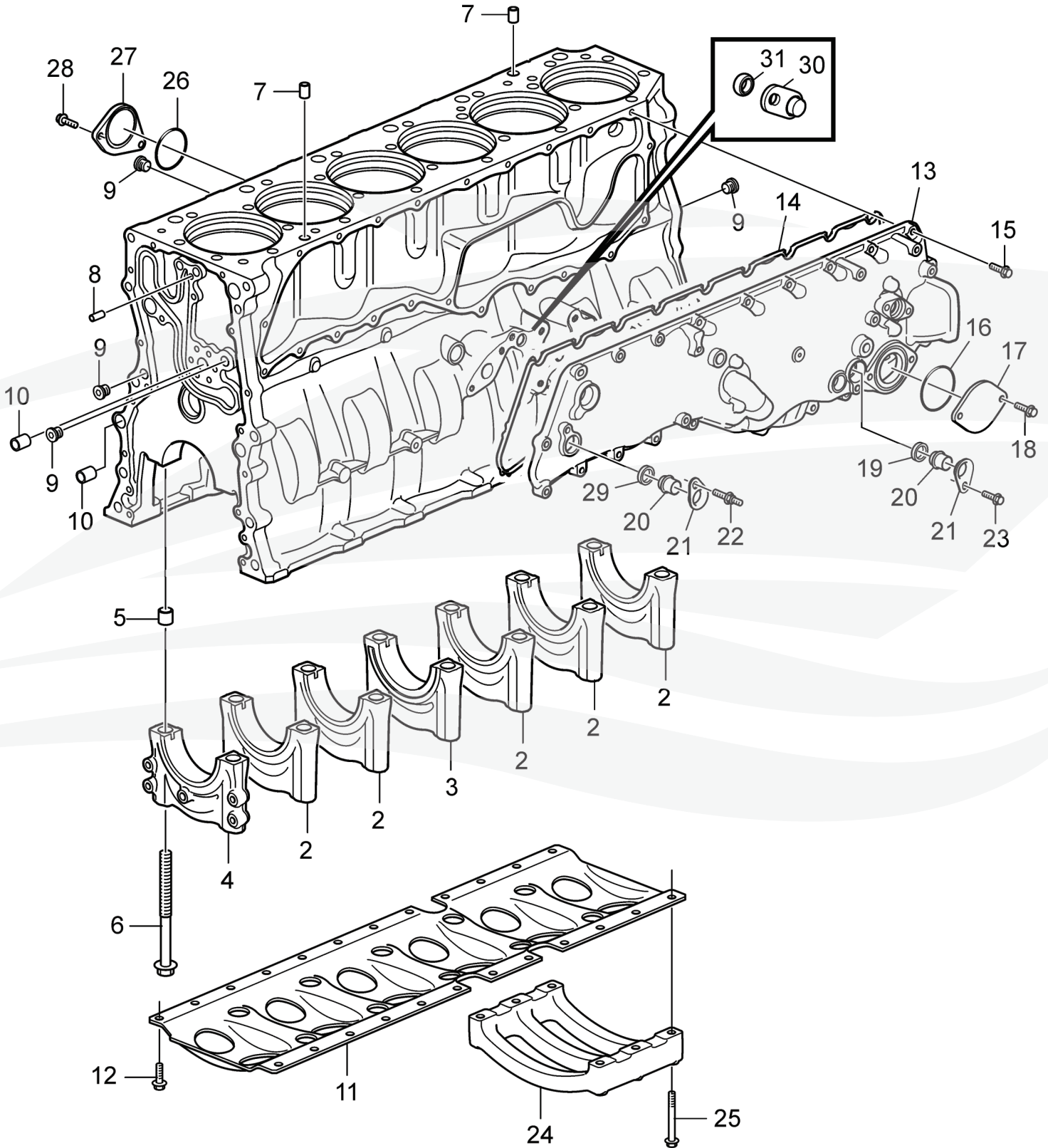


1



Cylinder Block D11B1-A MP, D11B2-A MP

REF	PART NO.	QTY	DESCRIPTION
1	21428017	1	Cylinder block
2		5	Mainr bearing cap
3		1	Mainr bearing cap
4		1	Mainr bearing cap
5		14	Pin
6	21345129	14	Flange screw
7	20485996	2	Pin
8	950588	1	Pin
9	984793	4	Plug
10	8131145	2	Guide sleeve
11	21971224	1	Frame reinforcement
12	984755	8	Flange screw
13	21447015	1	Cover
14	20584639	1	Sealing strip
15	984736	22	Flange screw
16	975675	1	O-ring
17	3177470	1	Flange - Replaced by 1 pc 3818686 and 1 pc 479956
18	945444	2	Flange screw
19	1547252	2	Sealing ring
20	20845995	2	Plug
21	20718731	2	Yoke
22	20714050	1	Flange screw
23	94544	1	Flange screw
24	3836277	1	Reinforcement
25	975103	6	Flange screw
26	949660	1	O-ring
27	3884277	1	Cover
28	984734	1	Flange screw
29	1547255	1	Sealing ring
30	21129485	1	Plug
31	21940610	1	Sealing ring