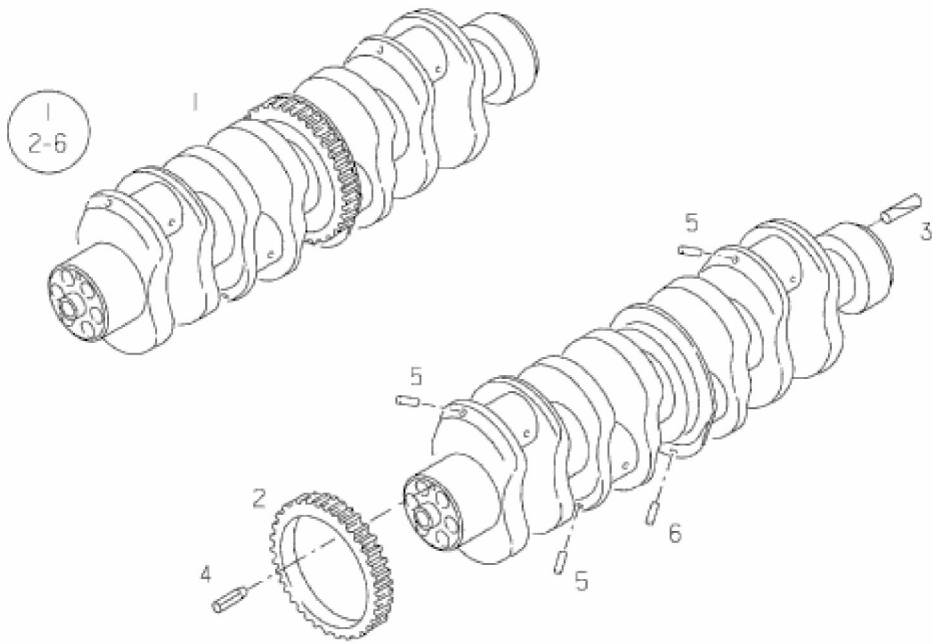


02-9160



**D0824 LE201**

Engine number:

Design group: **020/0 crankgear**

Sales group/PET/PAT: **51.#0390-0614**

**crankshaft**

| Item | Item number   | Volume | ME   | Name/comment                          | PET | PAT |
|------|---------------|--------|------|---------------------------------------|-----|-----|
| 1    | 51.02100-6094 | 1      | Item | crankshaft inspection<br>assembly ABS |     |     |