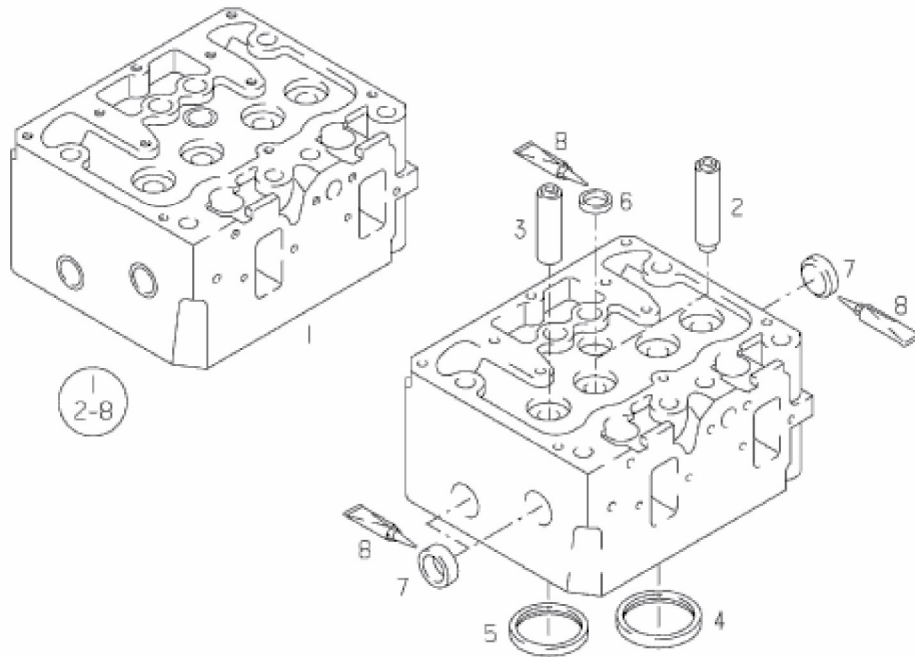


03-9034

**D0824 LE201**

Engine number:

Design group: **030/0 cylinder head**Sales group/PET/PAT: **51.#0010-0674****cylinder head**

Item	Item number	Volume	ME	Name/comment	PET	PAT
1	51.03101-6682	2	Item	cylinder head assembly		27.2009
1	51.03100-6368	2	Item	cylinder head	28.2009	
2	51.03201-0106	4	Item	valve guide 16,00 intake normal		
2	51.03201-0107	4	Item	valve guide 16,25 intake normal 1		
3	51.03201-0098	4	Item	valve guide 16,00 exhaust normal		
3	51.03201-0099	4	Item	valve guide 16,25 exhaust normal 1		
4	51.03203-0333	4	Item	valve seat ring		
5	51.03203-0305	4	Item	valve seat ring 44,11 exhaust normal		
5	51.03203-0225	4	Item	valve seat ring 44,31 exhaust normal 1		
6	51.91606-0036	2	Item	cover A32,3/10/1,5-X5CRNI1810		27.2009
6	51.91606-0105	2	Item	cover A32,3/10/1,25-X5CRNI1810	28.2009	
7	51.91606-0040	6	Item	cover A25,2/8-X5CRNI1810N		
8	04.10160-9164	NB	Item	adhesive 50 ML bottle		