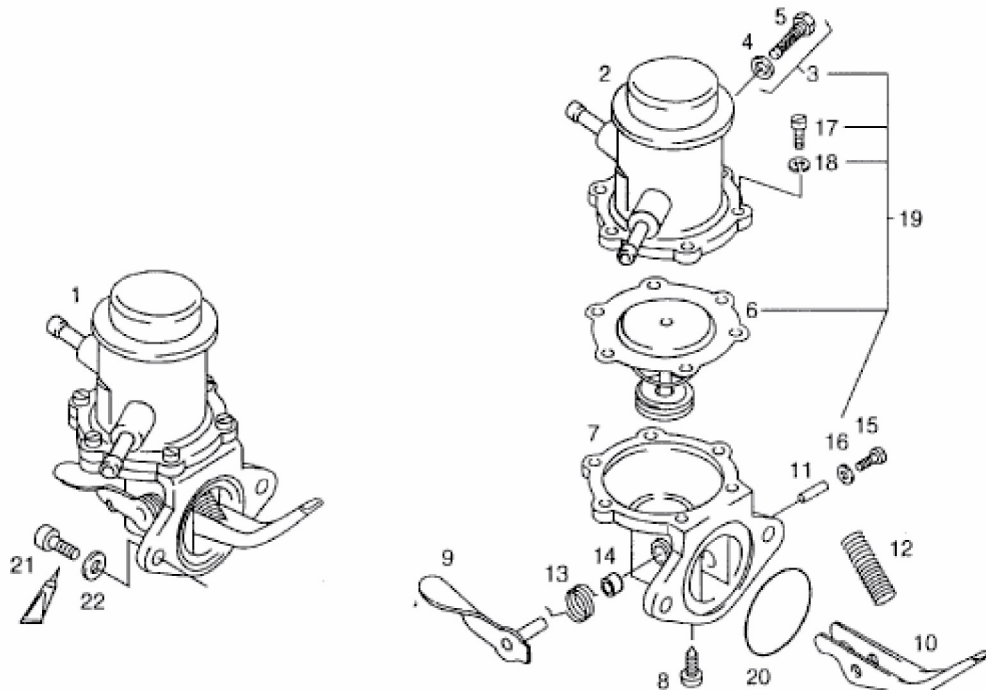


12-8044/2

**D0824 E701**

Engine number:

Design group: **120/0 fuel system**Sales group/PET/PAT: **51.#0150-0574 // 01.1997****fuel pump**

| Item | Item number | Volume | ME | Name/comment | PET | PAT |
|------|---------------|--------|------|--|---------|-----|
| 1 | 51.12101-7046 | 1 | Item | fuel pump assembly | 19.1983 | |
| 2 | 81.12103-0009 | 1 | Item | pump upper section | 21.1992 | |
| 3 | 81.12101-6014 | 1 | S | Fuel system repair kit fuel pump | 21.1992 | |
| 4 | 81.96601-0285 | 1 | Item | seal asbestos-free | 21.1992 | |
| 5 | 81.12104-0004 | 1 | Item | strainer fuel | 08.1996 | |
| 6 | 81.12114-0002 | 1 | Item | diaphragm | 21.1992 | |
| 7 | - | * | | pump bottom not available any more; new: 51.12101-7046 | 21.1992 | |
| 8 | 81.90101-0038 | 1 | Item | pan-head screw M4X4X2-5.8-ZN | 21.1992 | |
| 9 | 81.12120-0001 | 1 | Item | lever | 21.1992 | |
| 10 | 81.12120-0002 | 1 | Item | pump lever | 21.1992 | |
| 11 | 81.91001-0439 | 1 | Item | axle | 21.1992 | |
| 12 | 81.97602-0195 | 1 | Item | pressure spring | 21.1992 | |
| 13 | 81.97610-0191 | 1 | Item | return spring | 21.1992 | |
| 14 | 81.12112-0003 | 1 | Item | washer | 21.1992 | |
| 15 | 81.90310-0314 | 1 | Item | pan-head screw M7X0,75X5,5 | 21.1992 | |
| 16 | 81.98701-0032 | 1 | Item | seal asbestos-free | 21.1992 | |
| 17 | 06.04252-1108 | 6 | Item | cylinder screw M5X12-4.8-A3C | 21.1992 | |
| 18 | 06.16739-0010 | 6 | Item | spring washer A5-MAN183-B1 | 21.1992 | |
| 19 | 81.12101-6013 | 1 | S | Fuel system repair kit asbestos-free fuel pump | 34.1983 | |
| - | - | * | | comprising: item number 4 - 6; 16 - 18 | 19.1986 | |
| 20 | 06.56332-2167 | 1 | Item | toric seal 32X2,5B-ACM1-60 | 21.1992 | |
| 21 | 06.02192-0306 | 2 | Item | cylinder screw M6X18-8.8-A2C | 21.1992 | |
| - | 04.10160-9164 | NB | Item | adhesive 50 ML bottle | 18.1993 | |
| 22 | 51.90710-0288 | 2 | Item | washer 6,4X14X1,6-9SMNPB28K | 21.1992 | |