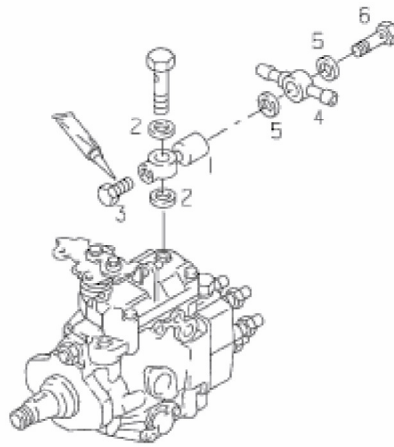


12-9250

**D0824 E701**

Engine number:

Design group: **120/0 fuel system**Sales group/PET/PAT: **51.#0210-0348****union for drip oil line on distributor pump**

Item	Item number	Volume	ME	Name/comment	PET	PAT
1	51.98101-0054	1	Item	twin ring union		
2	06.56190-0704	2	Item	seal A12X18-CU		
3	06.08092-2142	1	Item	drain plug CM10X1-ST-A3C		
-	04.10160-9164	NB	Item	adhesive 50 ML bottle		
-	-	*		see group 999/0		
4	51.98101-0056	1	Item	twin ring union		
5	06.56190-0704	2	Item	seal A12X18-CU		
6	51.11107-0008	1	Item	overflow valve assembly		