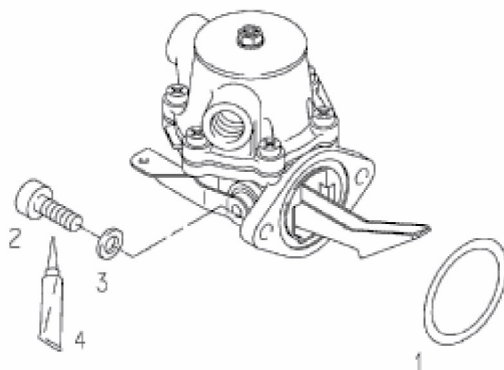


12-9308

**D0824 E701**

Engine number:

Design group: **120/0 fuel system**Sales group/PET/PAT: **51.#0150-0574 / 30.1999****fuel pump mounting**

Item	Item number	Volume	ME	Name/comment	PET	PAT
1	06.56332-2167	1	Item	toric seal 32X2,5B-ACM1-60		
2	06.02192-0306	2	Item	cylinder screw M6X18-8.8-A2C		
3	51.90710-0288	2	Item	washer 6,4X14X1,6-9SMNPB28K		
4	04.10160-9131	NB	Item	adhesive 50 ML-GN bottle		