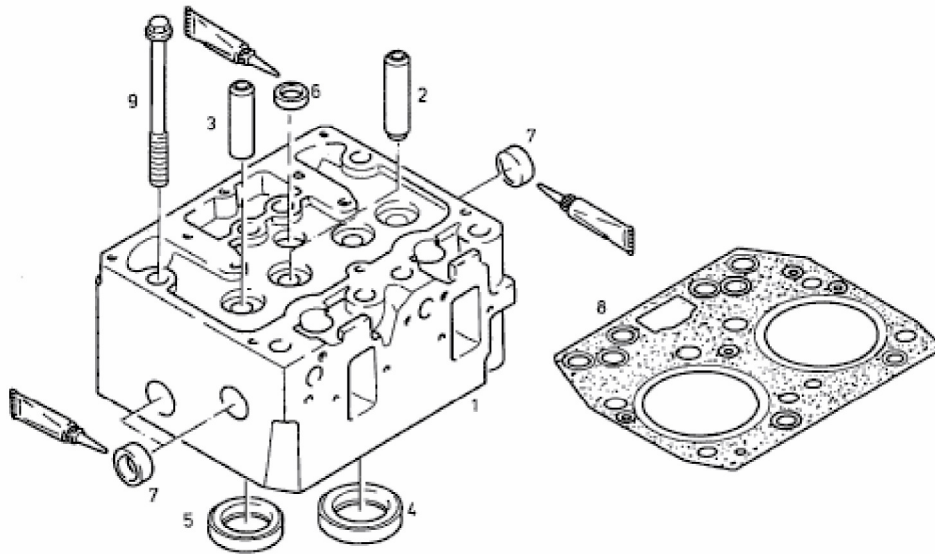


03-9004

**D0824 E701**

Engine number:

Design group: **030/0 cylinder head**Sales group/PET/PAT: **51.#0010-0415****cylinder head and components**

Item	Item number	Volume	ME	Name/comment	PET	PAT
1	51.03101-6687	2	Item	cylinder head assembly		
2	51.03201-0100	4	Item	valve guide normal intake finished part		
2	51.03201-0101	4	Item	valve guide normal 1 intake finished part		
3	51.03201-0098	4	Item	valve guide 16,00 exhaust normal		
3	51.03201-0099	4	Item	valve guide 16,25 exhaust normal 1		
4	51.03203-0290	4	Item	valve seat ring normal intake		
4	51.03203-0291	4	Item	valve seat ring normal 1 intake		
5	51.03203-0219	4	Item	valve seat ring 44,11 exhaust normal		
5	51.03203-0225	4	Item	valve seat ring 44,31 exhaust normal 1		
6	51.91606-0036	2	Item	cover A32,3/10/1,5-X5CRNI1810		
7	51.91606-0040	6	Item	cover A25,2/8-X5CRNI1810N		
-	04.10160-9164	NB	Item	adhesive 50 ML bottle		
-	-	*		for item number 6 + 7		
8	51.03901-0361	2	Item	cylinder head gasket		
9	51.90020-0356	16	Item	external hex round bolt M14X2X140-1200N/MM2-E18-ZNPHR3		
-	51.00900-6550	1	S	decarbonizer set asbestos-free 1 cylinder head		